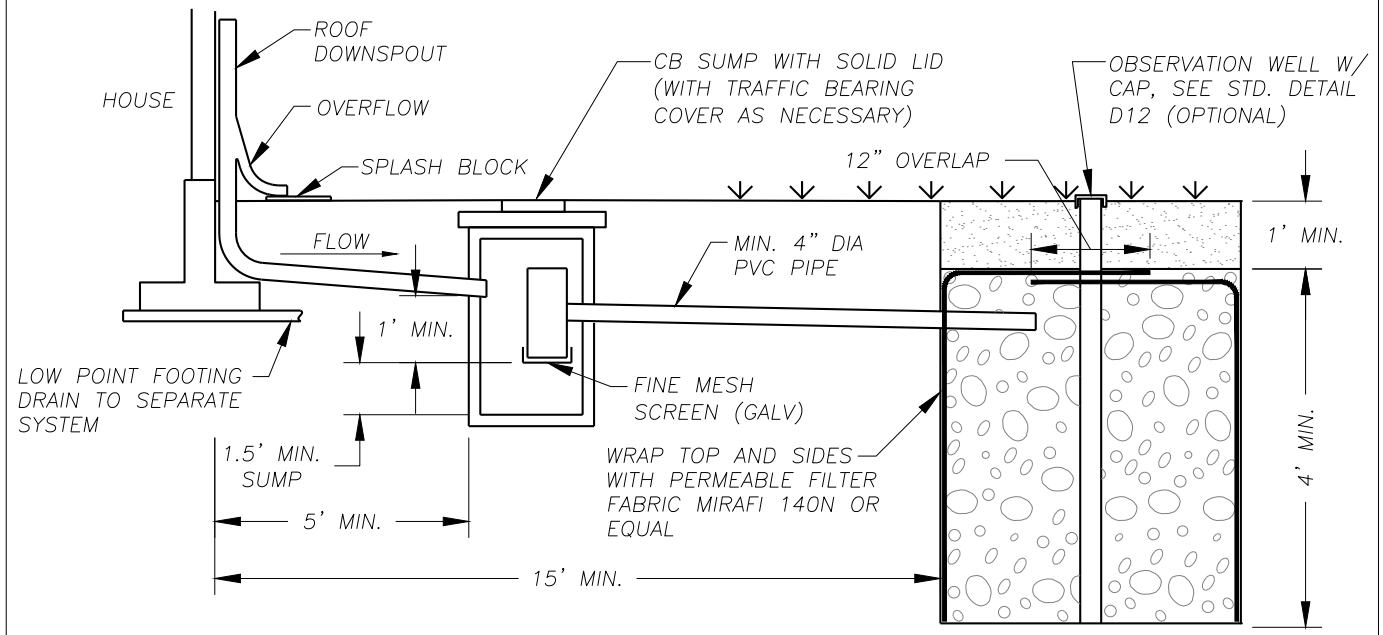


PLAN VIEW



SECTION

NOTE:

1. DRYWELL TO BE LOCATED 100' MIN. FROM SEPTIC DRAINFIELD (WHERE APPLICABLE).
2. PER CCSWM BMP T5.10A.

NO.	REVISIONS	DATE	BY

DWG: D16.1.DWG



Department of
Public Works
CLARK COUNTY
WASHINGTON
proud past, promising future

TYPICAL DOWNSPOUT INFILTRATION SYSTEM
DRYWELL (SINGLE-FAMILY HOME)

[Signature]
APPROVED
COUNTY ENGINEER

01/07/16
DATE

STANDARD
D16.1
DETAIL
DESIGNED
DRAWN
DATE 01/30/15