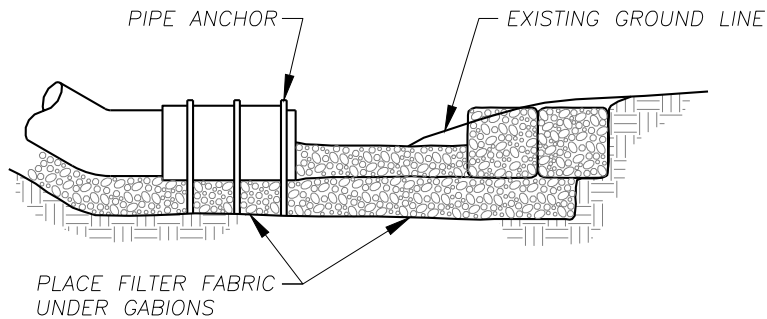
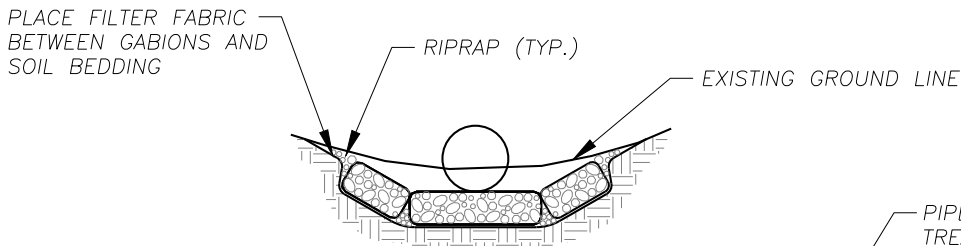


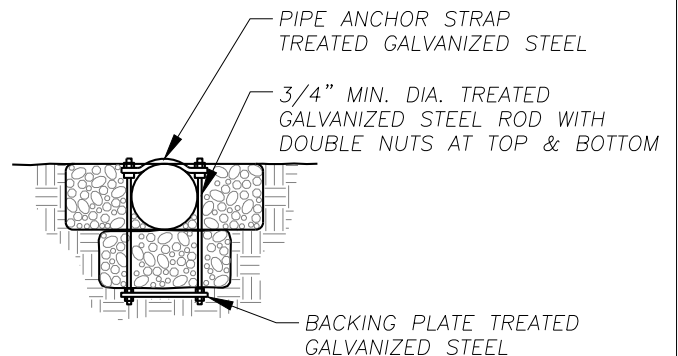
PLAN VIEW



SECTION C-C



SECTION A-A



SECTION B-B

NOTE:

1. GABION CRIBBING TO BE INSTALLED PER WSDOT SPECIFICATIONS 8-24.3(3) AND 9-27.3.
2. STONE FOR FILLING GABIONS SHALL CONFORM TO WSDOT SPECIFICATIONS 9-27.3(6).

NO.	REVISIONS	DATE	BY

DWG: D17.DWG



Department of
Public Works
CLARK COUNTY
WASHINGTON
proud past, promising future

GABION OUTFALL

[Signature]
APPROVED
COUNTY ENGINEER

01/07/16
DATE

STANDARD
D17
DETAIL
DESIGNED
DRAWN
DATE 01/30/15