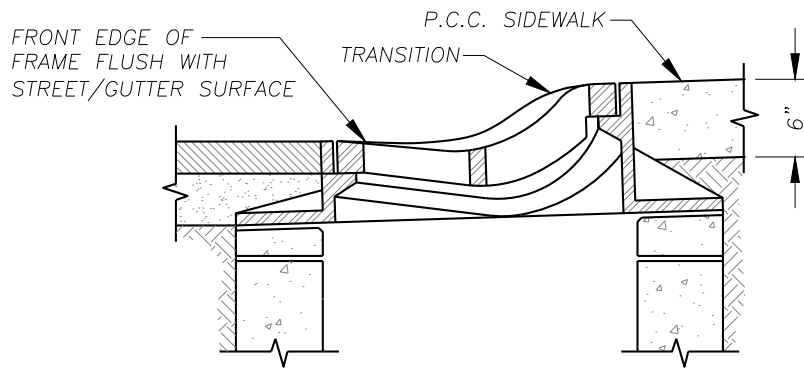


PLAN



SECTION A-A

NOTES:

1. WELDING NOT PERMITTED.
2. USE ROLLED CURB VANE GRATE PER STD. DETAIL D4.7 WHERE LONGITUDINAL SLOPE IS GREATER THAN 4%.
3. SET FRAME TO GRADE AND CONSTRUCT ROAD AND CURB TO BE FLUSH AT FRONT AND BACK OF FRAME.
4. SEE WSDOT STANDARD SPECIFICATIONS SECTION 7-05.

NO.	REVISIONS	DATE	BY

DWG: D4.6.DWG



Department of
Public Works
CLARK COUNTY
WASHINGTON
proud past, promising future

ROLLED CURB
FRAME AND GRATE INSTALLATION

[Signature]
APPROVED
COUNTY ENGINEER

01/07/16
DATE

STANDARD
D4.6
DETAIL
DESIGNED
DRAWN
DATE 01/30/15