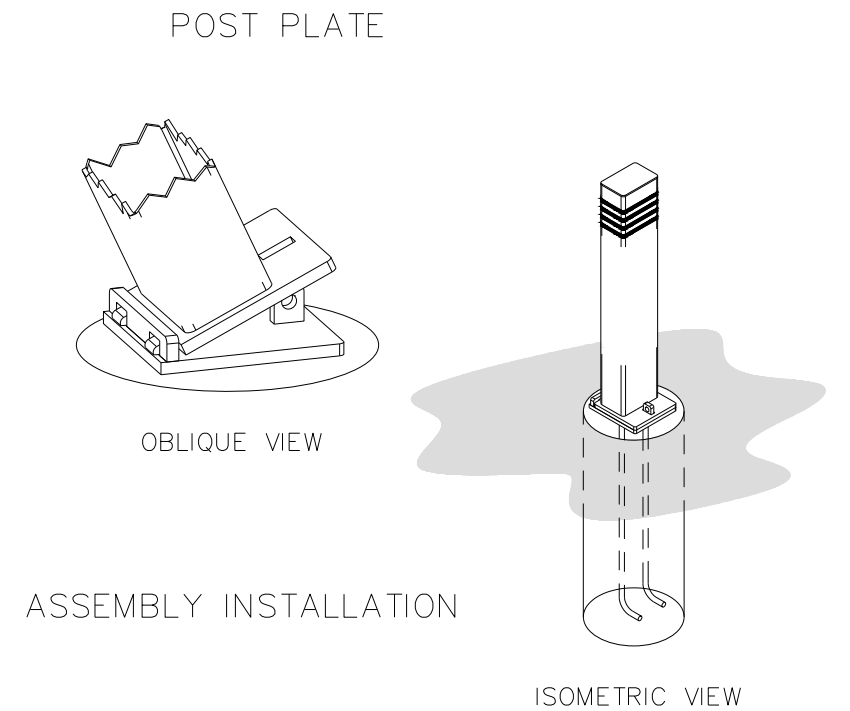
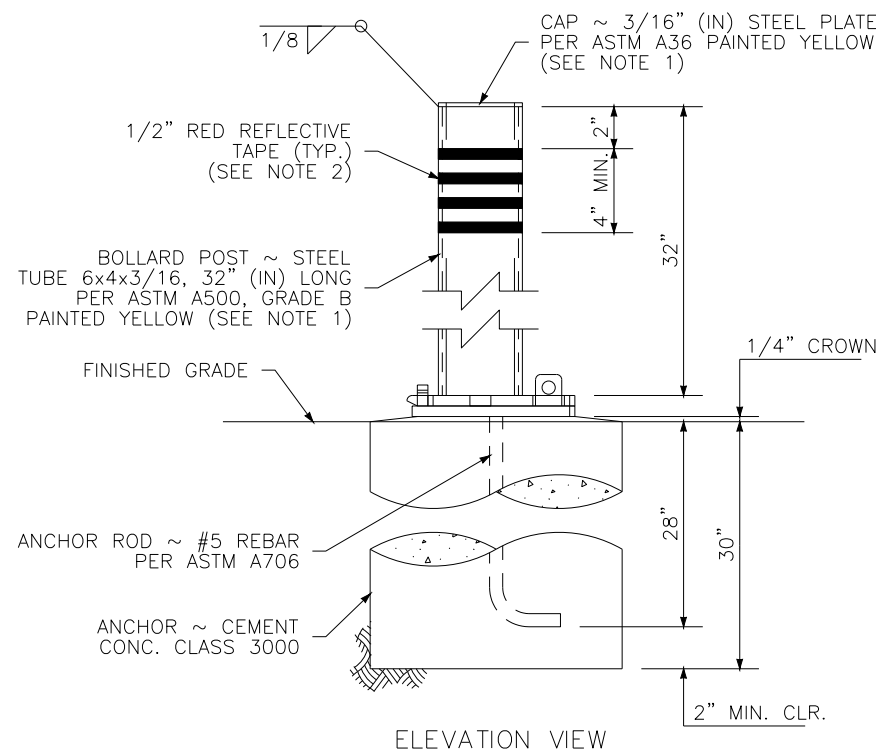
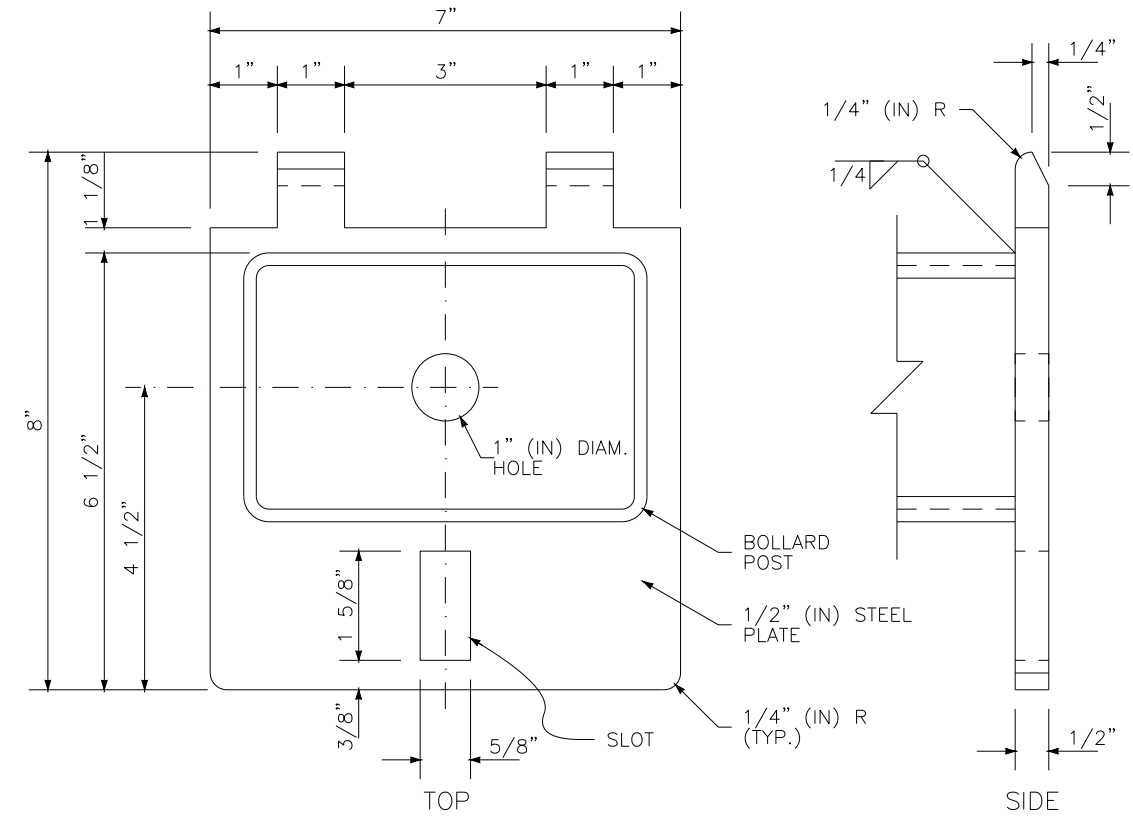
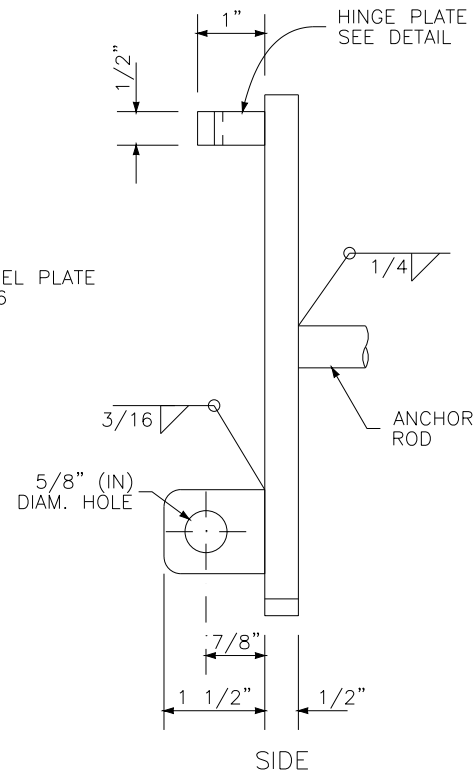
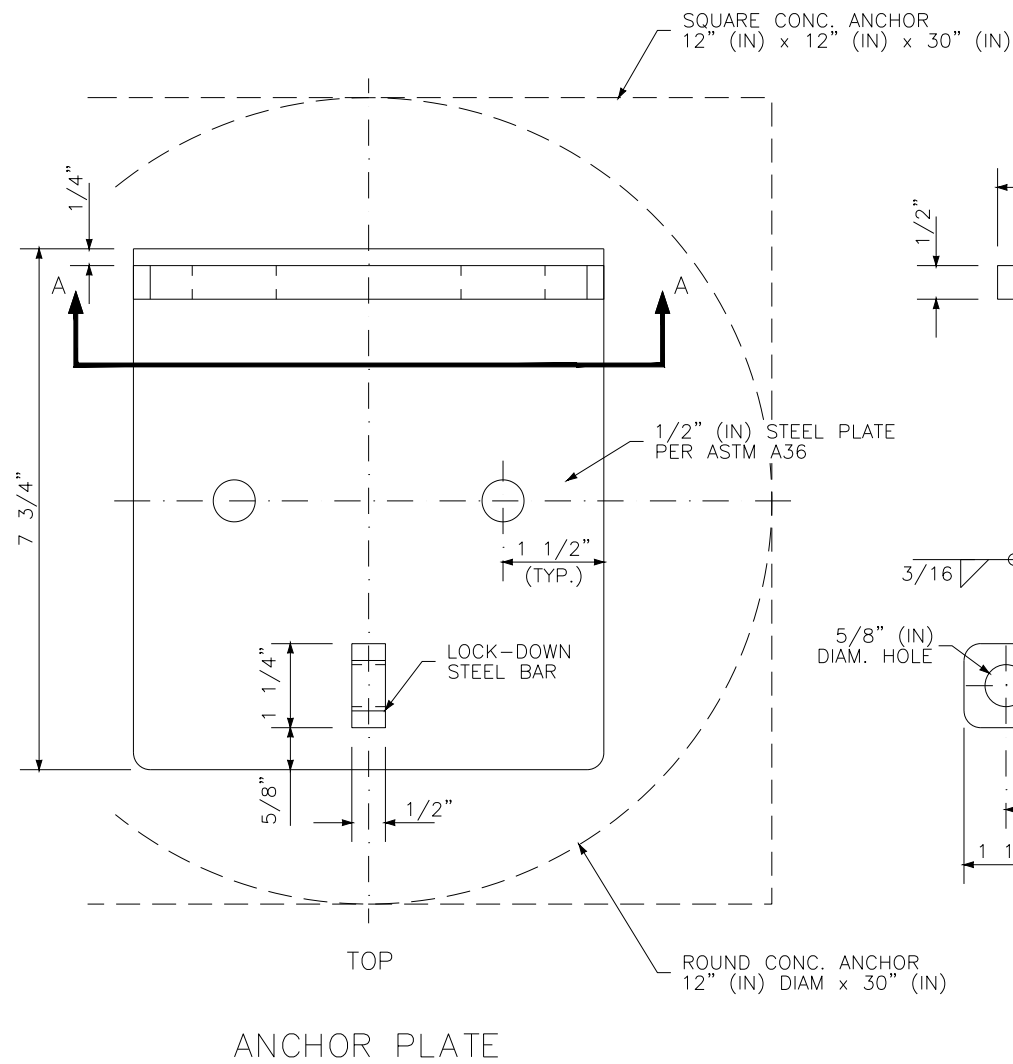
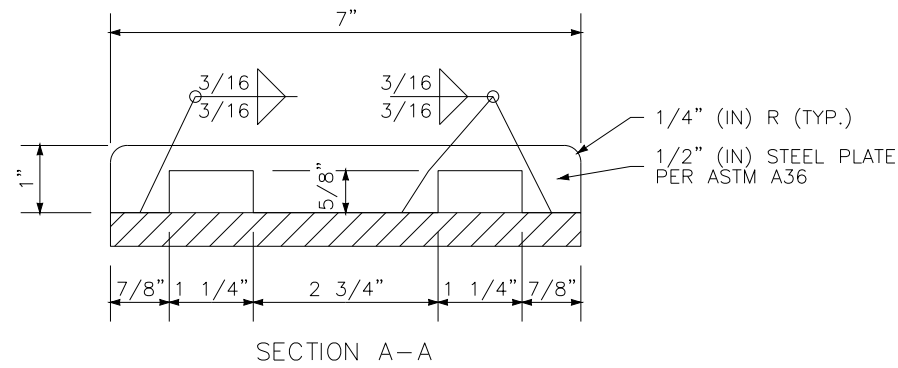



BOLLARDS (SHEET 3 OF 3)
BOLLARD TYPE 3 - COLLAPSIBLE

NOTES:

1. PAINT ASSEMBLY WITH TRAFFIC SIGNAL YELLOW (TO MATCH FEDERAL STANDARD 595, COLOR No. 33538).
2. REFLECTIVE TAPE SHALL BE HIGH INTENSITY (TYPE IV).
3. THIS BOLLARD DOES NOT HAVE AN EFFECTIVE BREAKAWAY DESIGN FEATURE AND CANNOT BE INSTALLED WITHIN THE DESIGN CLEAR ZONE.
4. HOT DIP GALVANIZE ASSEMBLIES AFTER FABRICATION.



REV. NO.	DATE	BY	APPR

DWG:  Department of Public Works
CLARK COUNTY WASHINGTON
proud past, promising future

BOLLARDS
SHEET 3 OF 3

APPROVED

07/17/19
DATE

STANDARD	T10.2
DESIGNED	
DRAWN	
DATE	