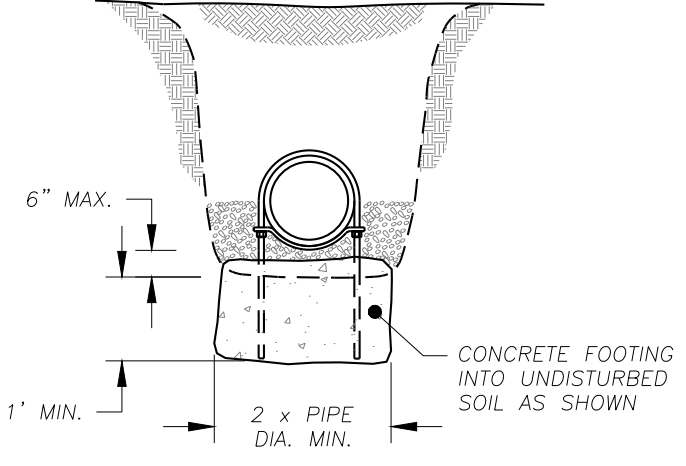


SECTION A-A



SECTION B-B

NOTES:

1. FOR HDPP, PIPE MUST BE FREE TO SLIDE INSIDE A 4' LONG SECTION OF PIPE ONE SIZE DIAMETER LARGER.
2. ON SLOPES OF 15% OR GREATER, PIPE SHALL HAVE WATERTIGHT JOINTS.

| NO. | REVISIONS | DATE | BY |
|-----|-----------|------|----|
| | | | |

DWG: D22.DWG



Department of Public Works
CLARK COUNTY WASHINGTON
 proud past, promising future

PIPE ANCHOR

[Signature]
 APPROVED
 COUNTY ENGINEER

01/07/16
 DATE

STANDARD
D22
 DETAIL
 DESIGNED
 DRAWN
 DATE 01/30/15