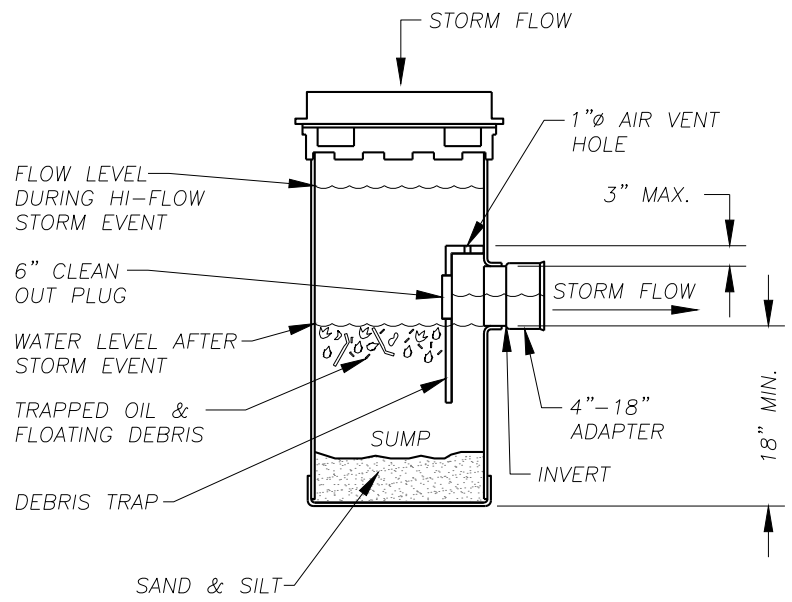


- NOTES:**
1. DRAIN BASIN TO BE 24" DIAMETER NYLOPLAST OR EQUAL (ROUND) STRUCTURE.
 2. DRAIN BASIN TO BE CUSTOM MANUFACTURED ACCORDING TO PLAN DETAILS.
 3. VARIOUS TYPES OF INLET & OUTLET ADAPTERS AVAILABLE: 4" - 18" FOR CORRUGATED HDPE (ADS N-12, ADS SINGLE WALL, HANCOR DUAL WALL), SDR 35, SCH 40 DWV, CORRUGATED & RIBBED PVC.
 4. DRAINAGE CONNECTION STUB JOINT TIGHTNESS SHALL CONFORM TO ASTM D3212 FOR CORRUGATED HDPE (ADS & HANCOR DUAL WALL) & SDR 35 PVC.
 5. THE MAX. DEPTH FROM THE FINISHED GRADE TO THE PIPE INVERT IS 5'-0".
 6. BACKFILL MATERIAL BELOW & TO SIDE OF STRUCTURE SHALL BE ASTM D2321 CLASS I OR II CRUSHED STONE OR GRAVEL, PLACED UNIFORMLY. BACKFILL TO MEET WSDOT M41-10 & AASHTO T-99 95% COMPACTION.
 7. DRAIN BASIN FRAME & GRATE SHALL BE IN ACCORDANCE WITH WSDOT STANDARD SPECIFICATIONS & MEET THE STRENGTH REQUIREMENTS OF FEDERAL SPECIFICATION RR-F-621D. MATING SURFACES SHALL BE FINISHED TO ASSURE NON-ROCKING FIT WITH ANY COVER POSITION.
 8. FRAME MUST BE INSTALLED WITH FLANGE DOWN.
 9. BASE PLATE SHALL BE DUCTILE IRON PER ASTM A536 GRADE 70-50-05.
 10. ALL CAST-IN-PLACE CONCRETE SHALL BE CLASS 4,000.
 11. 4"Ø STORMWATER MEDALLION (CCSWM, BOOK 2).



NO.	REVISIONS	DATE	BY

DWG: D4.0a.DWG



Department of
Public Works
CLARK COUNTY
WASHINGTON
proud past, promising future

DRAIN BASIN H-25 24 IN. NYLOPLAST OR EQUAL
WITH DEBRIS TRAP AND HERRINGBONE GRATE

[Signature]
APPROVED
COUNTY ENGINEER

01/07/16
DATE

STANDARD
D4.0a
DETAIL
DESIGNED
DRAWN
DATE 01/30/15