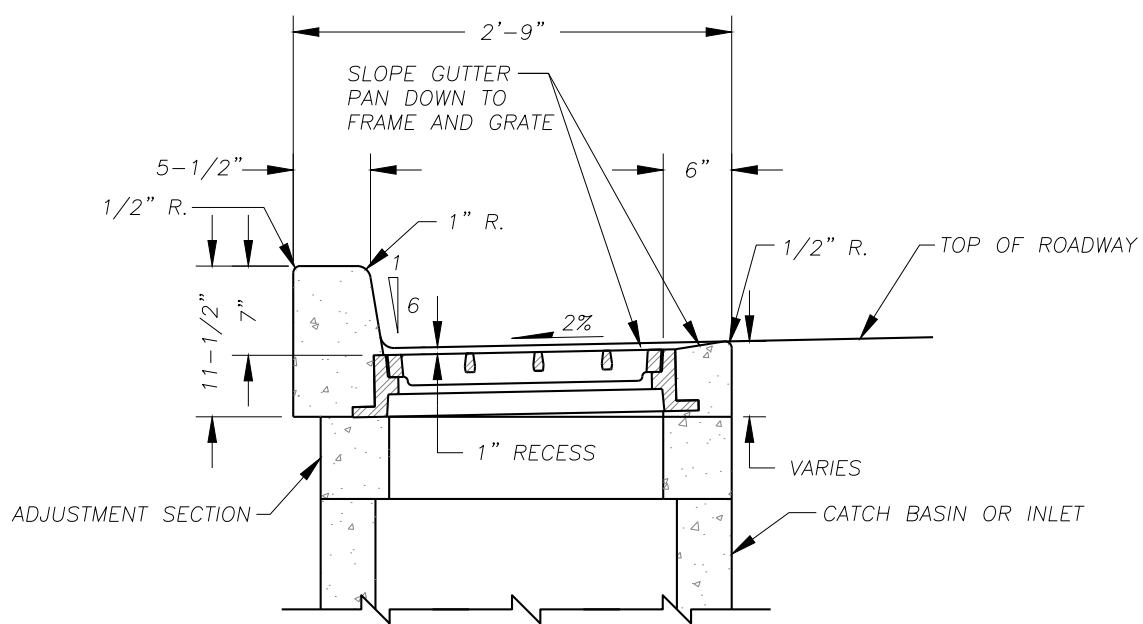
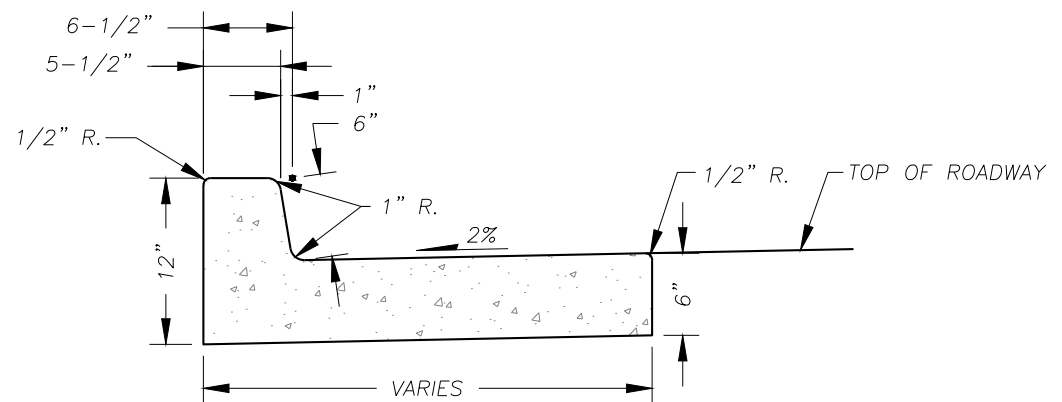


CATCH BASIN GUTTER PAN  
PLAN VIEW



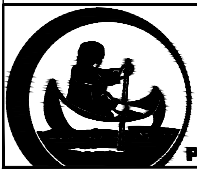
SECTION A



SECTION B

NO.	REVISIONS	DATE	BY

DWG: D4.1.DWG



Department of Public Works  
**CLARK COUNTY WASHINGTON**  
proud past, promising future

CATCH BASIN GUTTER PAN

*[Signature]* APPROVED  
COUNTY ENGINEER

01/07/16  
DATE

STANDARD  
**D4.1**  
DETAIL  
DESIGNED  
DRAWN  
DATE 01/30/15