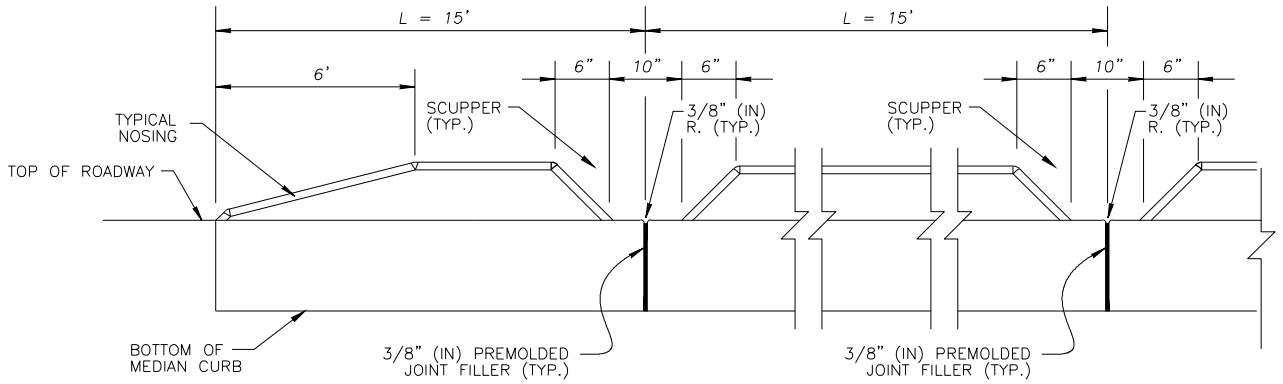
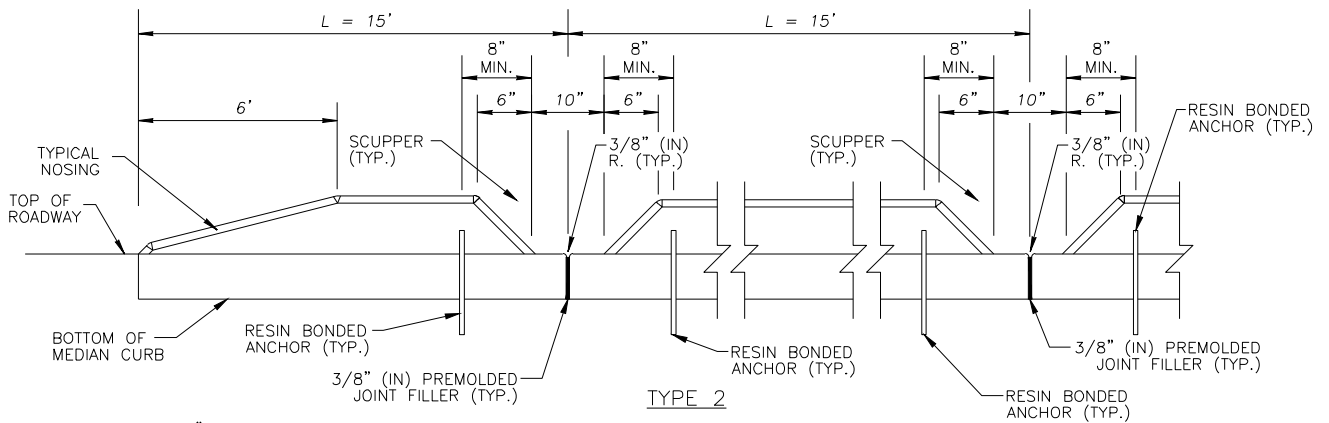


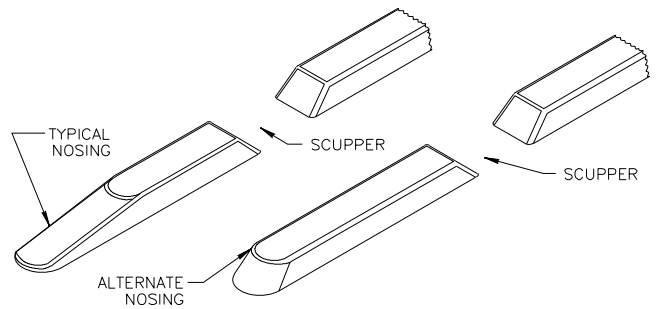
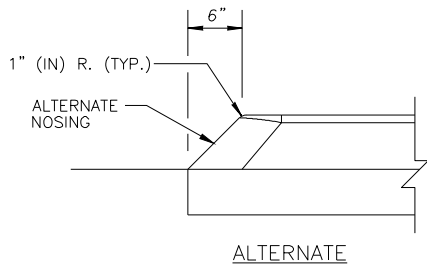
PLAN



TYPE 1



TYPE 2



ISOMETRIC

NOTE:

1. CONCRETE CURB SHALL CONFORM TO SECTION 8-04.3(1) OF WSDOT STANDARD SPECIFICATIONS.

DWG: F19a.DWG

NO.	REVISIONS	DATE	BY
1	ADJUST SPACING	08/08/18	MG



Department of Public Works
CLARK COUNTY WASHINGTON
 proud past, promising future

MEDIAN CURBING
SHEET 3 OF 4

[Signature]
APPROVED
COUNTY ENGINEER

STANDARD
F19c
DETAIL
DESIGNED
DRAWN
DATE 10/03/16

09/20/16
DATE