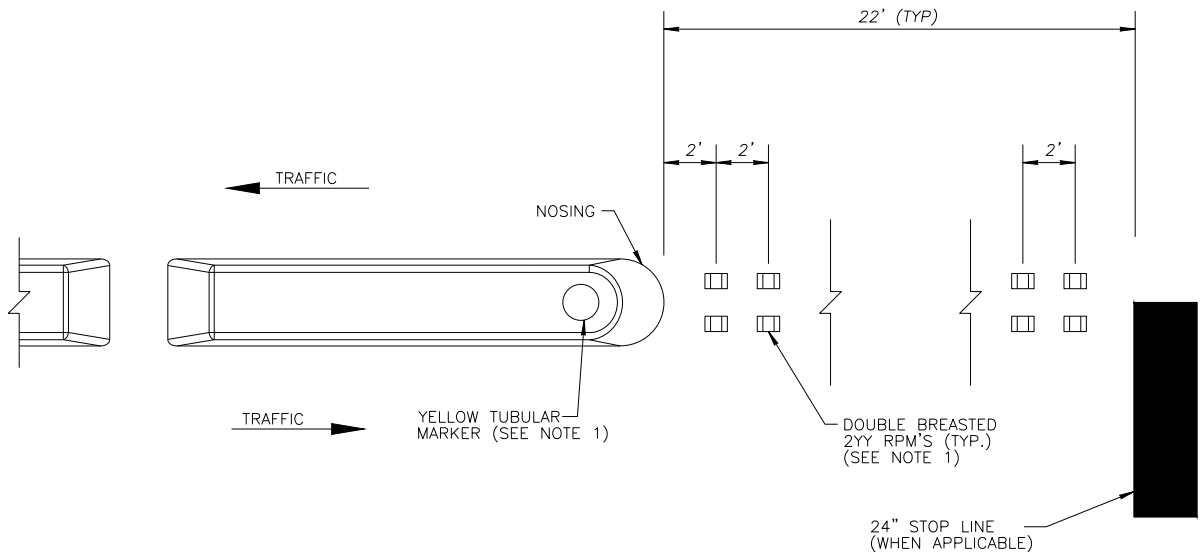


PLAN VIEW FOR TYPICAL



PLAN VIEW FOR ALTERNATE

NOTES:

1. THE COLOR OF CURBING, RPM AND TUBULAR MARKER TO BE BASED UPON THE DIRECTION OF TRAFFIC FLOW PER THE MANUAL ON UNIFORM TRAFFIC CONTROL DEVICES.

DWG: F19a.DWG

NO.	REVISIONS	DATE	BY



Department of  
Public Works  
**CLARK COUNTY**  
WASHINGTON  
proud past, promising future

MEDIAN CURBING  
SHEET 4 OF 4

APPROVED

*[Signature]*  
COUNTY ENGINEER

09/20/16  
DATE

STANDARD
<b>F19d</b>
DETAIL
DESIGNED
DRAWN
DATE 10/03/16