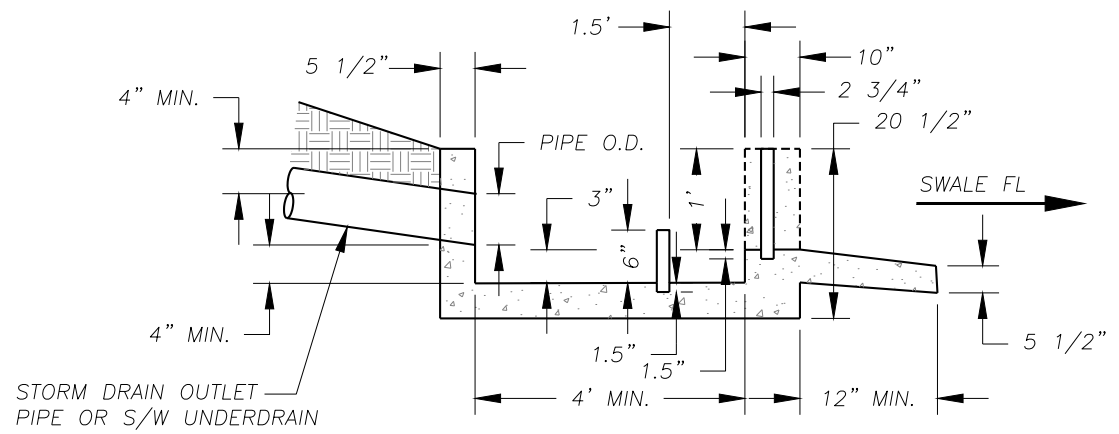
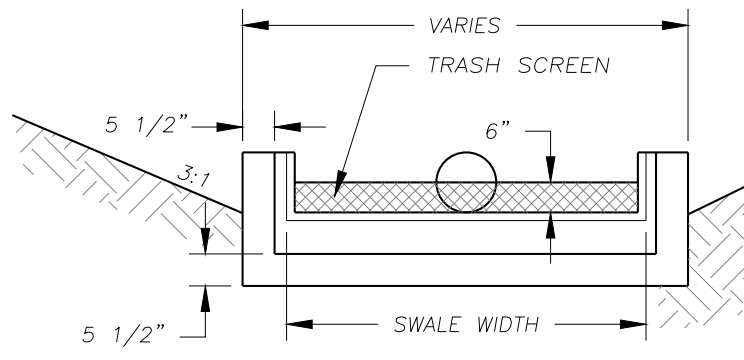


PLAN VIEW



SECTION A-A



SECTION B-B

NOTE:

1. ALL CONCRETE SHALL BE 3000 PSI.
2. STRUCTURE CAN BE USED AS AN AFFECTIVE TEMPORARY EROSION CONTROL SEDIMENTATION TRAP DURING SITE GRADING.
3. TRASH SCREEN CAN BE LINED WITH FILTER FABRIC FOR SEDIMENT REMOVAL.
4. SEDIMENTATION TRAP IS REQUIRED WITH ALL SWALES, UNLESS OMISSION APPROVED BY REVIEWING AUTHORITY.

NO.	REVISIONS	DATE	BY

DWG: D11.5.DWG



Department of Public Works
CLARK COUNTY WASHINGTON
proud past, promising future

BIOFILTRATION SWALE SEDIMENTATION TRAP

[Signature] APPROVED
COUNTY ENGINEER

01/07/16
DATE

STANDARD
D11.5
DETAIL
DESIGNED
DRAWN
DATE 01/30/15