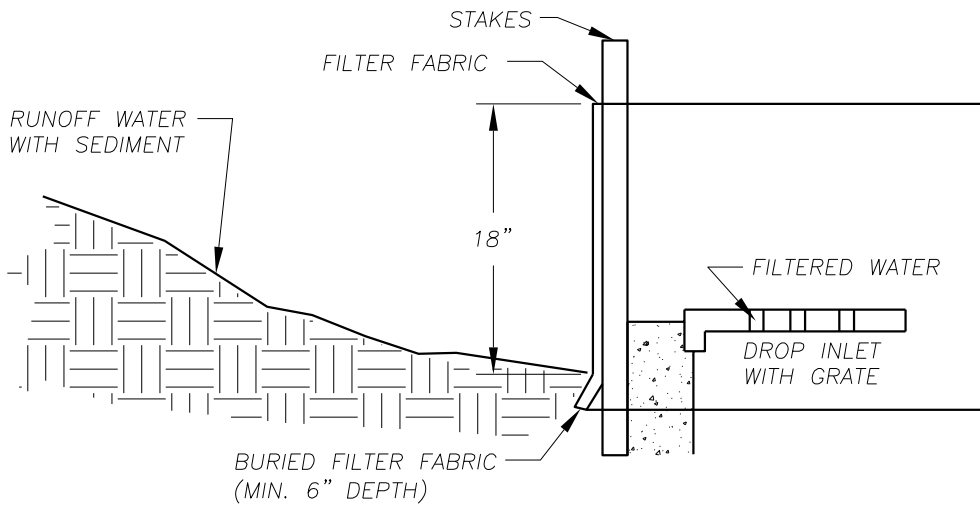
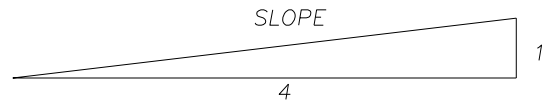


PLAN VIEW
SLOPE 4:1



PROFILE

NOTE:

1. SEE INLET PROTECTION NOTES STD. DETAIL E3.

NO.	REVISIONS	DATE	BY

DWG: E3b.DWG



Department of
Public Works
CLARK COUNTY
WASHINGTON
proud past, promising future

INLET PROTECTION TYPE 3
SILT FENCE

Peter Capen
COUNTY ENGINEER

APPROVED

5/23/08
DATE

STANDARD

E3b

DETAIL

DESIGNED
DRAWN
DATE 05/23/08