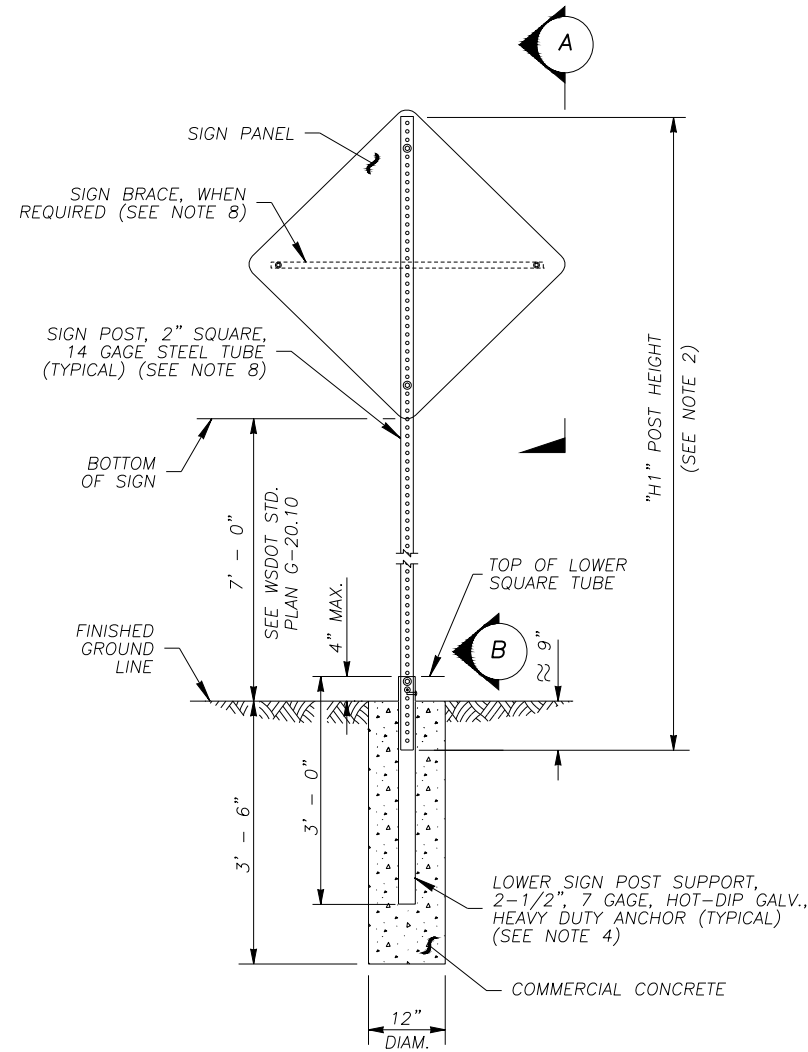


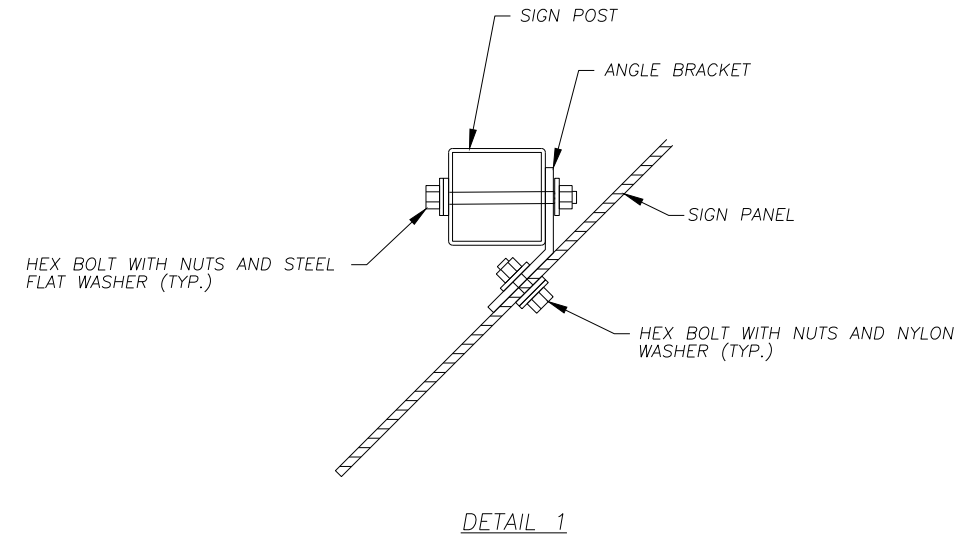
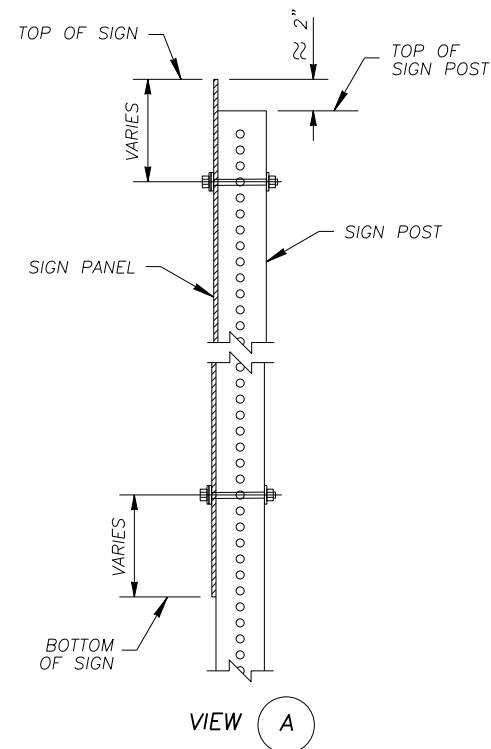
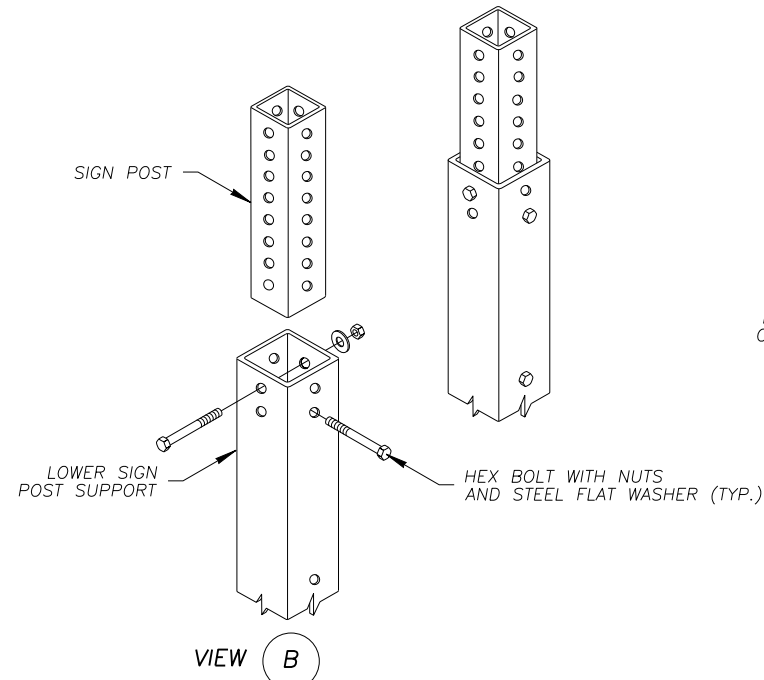
STEEL SIGN SUPPORT TYPE ST-4 AND SIGN INSTALLATION DETAILS

NOTES:

1. DIMENSIONS FOR THE PARTS USED TO ASSEMBLE THE BASE CONNECTIONS ARE INTENTIONALLY NOT SHOWN. BASE CONNECTIONS ARE PATENTED, MANUFACTURED PRODUCTS THAT ARE IN COMPLIANCE WITH NCHRP 350 CRASH TEST CRITERIA. THE BASE CONNECTION DETAILS ARE ONLY SHOWN ON THIS PLAN TO ILLUSTRATE HOW THE PARTS ARE ASSEMBLED.
2. FOR "H1" REFER TO THE SIGN SPECIFICATION TABLES IN THE CONTRACT.
3. DEPENDING UPON THE SIGN AREA, SIGN POST MAY BE A 2", 12 OR 14 GAGE POST OR 2-1/2", 12 OR 14 GAGE POST. SEE CONTRACT PLAN.
4. 2-1/2", 7 GAGE HEAVY DUTY ANCHOR IS REQUIRED WITH 2" POST. 3", 7 GAGE HEAVY DUTY ANCHOR IS REQUIRED WITH 2-1/2" POST. SEE CONTRACT PLAN.
5. ANGLE BRACKET SHALL BE USED FOR SIGN POST SQUARE TUBE GALVANIZED STEEL TUBE ATTACHMENT AT 45 DEGREES, SHOWN IN DETAIL 1.
6. HEX BOLT WITH NUTS AND NYLON WASHER SHALL BE USED FOR SIGN ATTACHMENT. HEX BOLT WITH NUTS AND STEEL FLAT WASHER SHALL BE USED FOR ANCHOR ATTACHMENT.
7. CONTRACT PLAN MAY ALLOW THE USE OF OTHER TYPES OF STEEL OR TIMBER SIGN SUPPORT SYSTEM, SPECIFIED IN THE WSDOT STANDARD PLAN, DEPENDING UPON SPECIFIC CONDITIONS AND SOIL TYPE, UPON APPROVAL BY THE ENGINEER.
8. SIGN BRACES ARE REQUIRED FOR SIGN WIDTHS OF 48" (IN) OR GREATER. FOR SIGN WIDTHS OF 36" (IN) OR LESS, SIGN BRACES ARE ONLY REQUIRED WITHEN SPECIFIED IN THE CONTRACT. SEE WSDOT STANDARD PLAN G-50.10 FOR FURTHER DETAILS.



TYPE ST-4 SIGN SUPPORT



REV. NO.	DATE	BY	APPR

DWG:



Department of
Public Works
CLARK COUNTY
WASHINGTON
proud past, promising future

STEEL SIGN SUPPORT
TYPE ST-4 AND SIGN INSTALLATION DETAILS

APPROVED

[Signature]
COUNTY ENGINEER

07/17/19
DATE

STANDARD
T7.0
DETAIL
DESIGNED
DRAWN
DATE