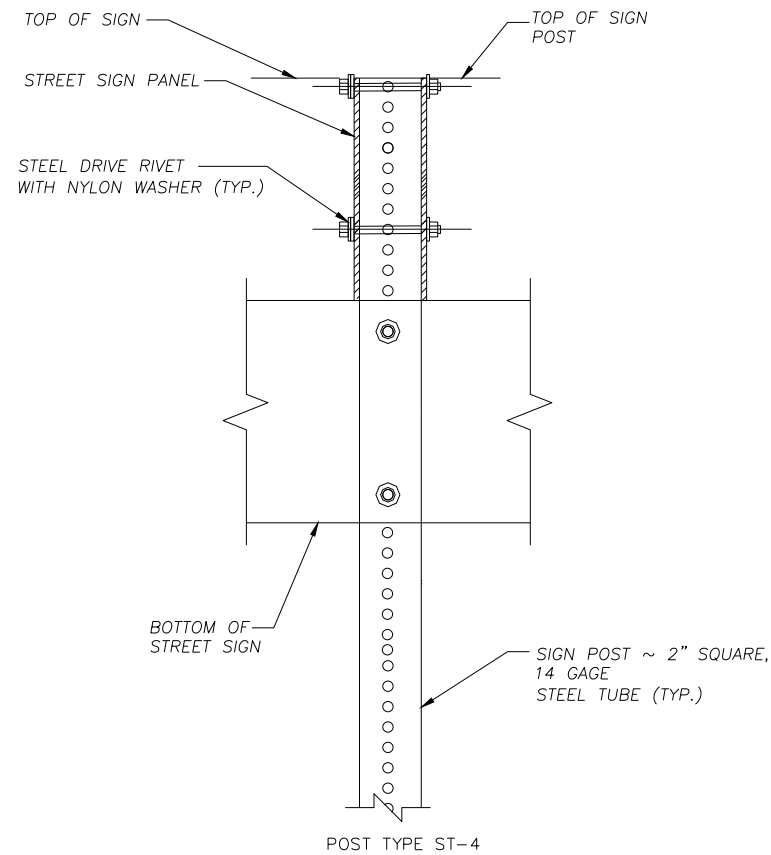
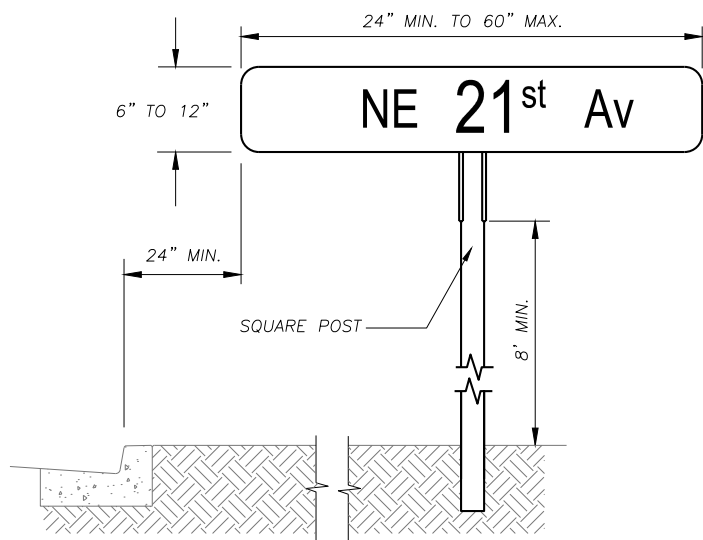
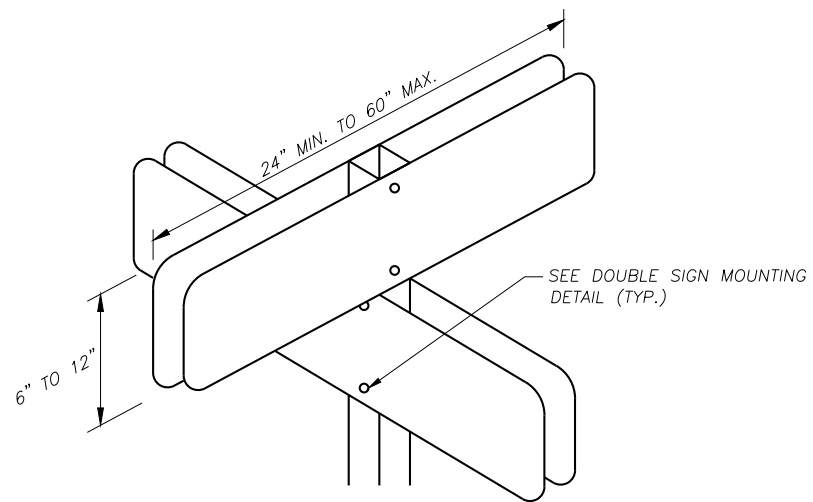
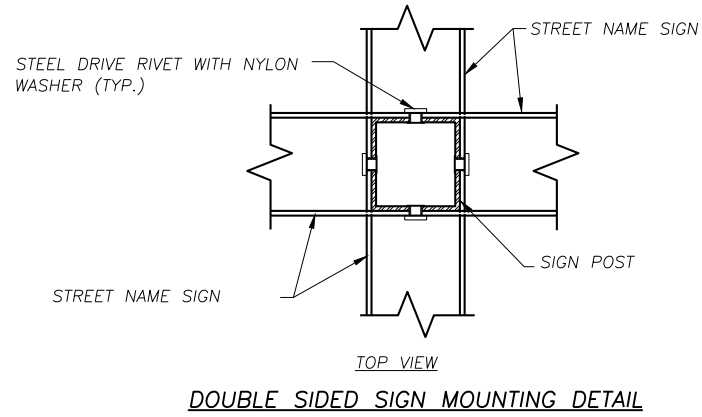


STREET NAME SIGN DETAILS (SHEET 1 OF 3)

NOTES:

1. BOLT IN LIEU OF STEEL RIVET PERMITTED WITH THE ENGINEER'S APPROVAL. BOLTS WITH NUTS IN LIEU OF RIVETS REQUIRED FOR SIGNS 42 INCHES AND LONGER.
2. CONTRACT PLAN MAY ALLOW THE USE OF OTHER TYPES OF STEEL OR TIMBER SIGN SUPPORT SYSTEM, SPECIFIED IN THE WSDOT STANDARD PLAN, DEPENDING UPON SPECIFIC CONDITION AND SOIL TYPE.
3. SIGN BRACES ARE REQUIRED WHEN STREET NAME SIGNS ARE NOT DOUBLE SIDED AND ARE 42 INCHES OR GREATER IN WIDTH.



STREET NAME SIGN INSTALLATION DETAIL

REV. NO.	DATE	BY	APPR

DWG:



Department of
Public Works
CLARK COUNTY
WASHINGTON
proud past, promising future

STREET NAME SIGN DETAILS
SHEET 1 OF 3

APPROVED

[Signature]
COUNTY ENGINEER

07/17/19
DATE

STANDARD
T8.0
DETAIL
DESIGNED
DRAWN
DATE