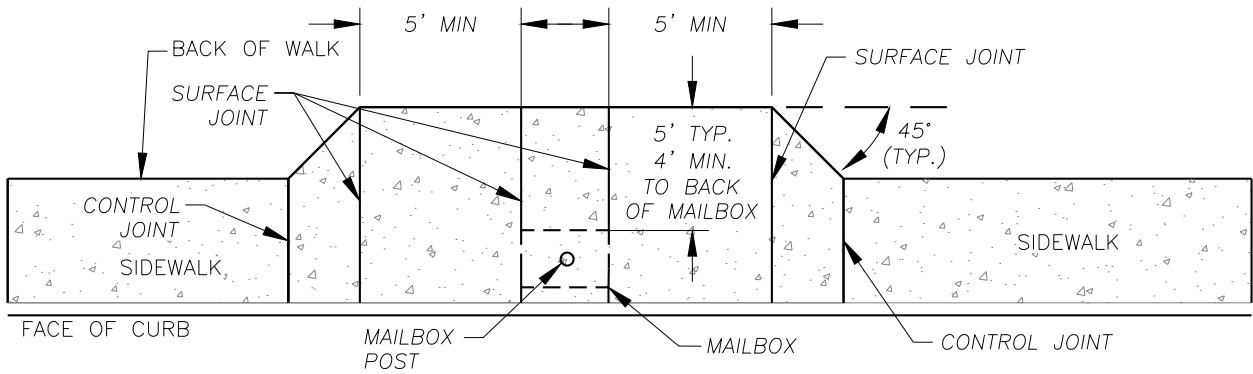
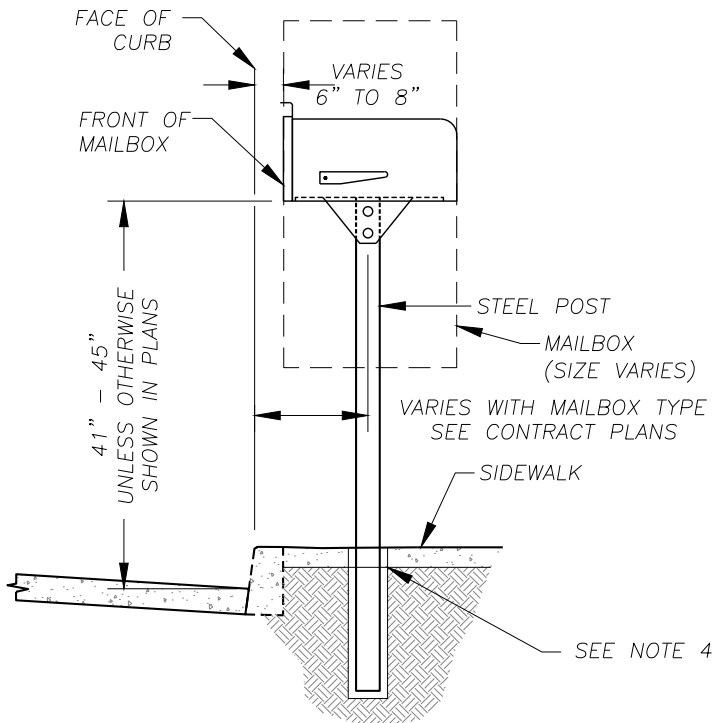


MAILBOX IN PLANTER STRIP



MAILBOX IN SIDEWALK



NOTES:

1. SEE WSDOT STANDARD PLAN No. H-70.10-XX TO H-70.20-X FOR MAILBOX, POST (STEEL), BRACKET AND OTHER INSTALLATION DETAILS.
2. MAILBOXES MUST BE POSTMASTER APPROVED.
3. LOCATION OF MAILBOXES ARE SUBJECT TO APPROVAL BY CLARK COUNTY FOR ACCESS AND SIGHT DISTANCE REQUIREMENTS.
4. INSTALL 8" DIA PVC SLEEVE CENTERED ON POST OR FILL VOID AROUND POST WITH NON-SHRINK GROUT WHEN SET IN SIDEWALK.
5. EXTEND SIDEWALK JOINTS THROUGH WIDENED SIDEWALK SECTION.

NO.	REVISIONS	DATE	BY

DWG: F13.DWG



Department of Public Works
CLARK COUNTY
 WASHINGTON
 proud past, promising future

TYPICAL MAILBOX PLACEMENT

[Signature]
 COUNTY ENGINEER

APPROVED

01/26/16
 DATE

STANDARD

F13

DETAIL

DESIGNED
 DRAWN
 DATE 01/26/16