







ADA Compliance Program

Clark County Facilities Transition Plan Clark County Juvenile Justice Center

Date of Survey: March 27, 2006
 Conducted by: Clark County Citizen ADA Advisory Board
 Wayne Yarnall, Connie Brittain (Absent), Jesse Magana, Bud Van Cleve, Tim McVicker

Note: A good-faith assessment was conducted of this building by the Clark County Citizen ADA Advisory Committee. Courtrooms and detention facilities were also surveyed.

| | |
|--|---|
| | <p>Item # 1 Issue: Drinking Fountain – Protrusion Limits Issue: Location: 1st Floor Lobby Code: ANSI 307.2 Protrusion Limits. Objects with leading edges more than 27 inches and not more than 80 inches above the floor shall protrude 4 inches maximum horizontally into the circulation path. The drinking fountain shown protrudes 11 inches and the height shown is 32 3/8 inches.</p> <p>Notes:</p> |
| | <p>Item # 2 Issue: Signage Issue: Location: Second Floor Restrooms Code: ANSI 703 Signs – Please refer to ANSI standards for complete sign requirements</p> <p>ANSI – 703.3.11 Location – Where a tactile sign is provided at a door, the sign shall be alongside the door at the latch side. ANSI – 703.3.10 – Height Above Floor – Tactile characters shall be 48 inches minimum above the floor, measured to the baseline of the lowest tactile character and 60 inches maximum above the floor, measured to the baseline of the highest tactile character.</p> <p>Notes:</p> |
| | <p>Item # 3 Issue: Exposed pipes Issue: Location: Second Floor Restrooms Code: ANSI 606.6 - Exposed Pipes and Surfaces – Water supply and drainpipes under lavatories and sinks shall be insulated or otherwise configured to protect against contact. There shall be no sharp or abrasive surfaces under lavatories and sinks.</p> |

| | |
|---|---|
|  | <p>Notes:</p> <p>Item # 4</p> <p>Issue: Urinal Height – 21 inches</p> <p>Issue:</p> <p>Location: Second Floor Restroom</p> <p>Code: ANSI 605.2 Height - Urinals shall be of the stall type or shall be of the wall type with the rim at 17 inches maximum above the floor.</p> |
|  | <p>Notes:</p> <p>Item # 5</p> <p>Issue: Accessible Stall</p> <p>Issue:</p> <p>Location: Second Floor Restrooms</p> <p>Code:</p> <p>Notes: The stall shown is for ambulatory persons. It is not wheelchair accessible</p> |
|  | <p>Item # 6</p> <p>Issue: Signage</p> <p>Issue:</p> <p>Location: Second Floor Restrooms</p> <p>Code:</p> <p>Notes: Signage indicates that the 2nd floor restrooms are accessible which is incorrect. It could be signed that it accessible for ambulatory persons but not individuals in wheelchairs.</p> <p>Options:</p> <p>Make the restrooms accessible which would be almost cost prohibitive</p> <p>Post signs on non-accessible restrooms with directions to the accessible restroom located on the 1st floor. (NW ADA and IT Center Denise Spielman confirmed that signage for this purpose is permissible.)</p> |
|  | <p>Item # 7</p> <p>Issue: Signage</p> <p>Issue:</p> <p>Location: Second Floor Emergency Exit Route</p> <p>Code:</p> <p>Notes: A determination needs to be made regarding the accessible evacuation route sign located on the second floor of the building near Courtroom # 1. What is the purpose of the sign? Is there an accessible evacuation route? If so, where is it? Is staff aware of this accessible evacuation route?</p> <p>Vancouver WA. building inspector reviewed signage requirements. Sign depicted will be removed</p> |



Item # 8
 Issue: Telephone - Protrusion Limits
 Issue:
 Location: 1st Floor Lobby
 Code: ANSI 307.2 Protrusion Limits. Objects with leading edges more than 27 inches and not more than 80 inches above the floor shall protrude 4 inches maximum horizontally into the circulation path.
 Notes: **Note: Phone lower edge height is 22". No additional renovations required.**



Item # 9
 Issue: Changing Table Height
 Issue:
 Location: 1st Floor Restroom
 Code: ANSI 902.3 Height – The tops of dining surfaces and work surfaces shall be 28 inches minimum and 34 inches maximum in height above the floor.
 Notes: 37 inches high when table extended.



Item # 10
 Issue: Accessible Restroom – Flush Handle Location
 Issue: Vertical Grab Bar
 Location: First Floor
 Code: ANSI 604.10.6 - Flush Controls - Flush controls shall be hand operated or automatic. Hand operated flush controls shall comply with Sections 309.2 and 309.4 and shall be installed 36 inches maximum above the floor. Flush controls shall be located on the open side of the water closet.

ANSI 604.5.1 – Vertical Grab Bar

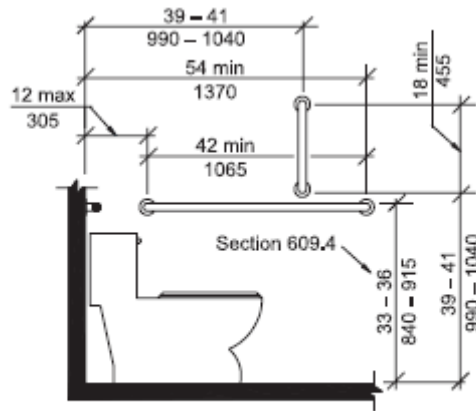


Fig. 604.5.1
 Side Wall Grab Bar for Water Closet

Notes:



Item # 11
Issue: Signage
Issue:
Location: First Floor Accessible Restroom
Code: ANSI 703 Signs – Please refer to ANSI standards for complete sign requirements

ANSI – 703.3.11 Location – Where a tactile sign is provided at a door, the sign shall be alongside the door at the latch side.

ANSI – 703.3.10 – Height Above Floor – Tactile characters shall be 48 inches minimum above the floor, measured to the baseline of the lowest tactile character and 60 inches maximum above the floor, measured to the baseline of the highest tactile character.

Notes Per Denise Spielman, NW ADA and I.T. Center, this restroom should also have a sign on it stating it is the only public accessible restroom available in the building



Item # 12
Issue: Accessible Door Handles
Issue:
Location: 2nd Floor- 5 Handles to be replaced
1st Floor - 33 Handles to be replaced
Code: ANSI – Door Hardware – Handles, pulls, latches, locks and other operable parts on accessible doors shall have a shape that is easy to grasp with one hand and does not require tight grasping, pinching, or twisting of the wrist to operate.

Notes:



Item # 13
Issue: Exposed Pipes Restroom Off Classroom
Issue:
Location: 1st Floor
Code: ANSI 606.6 - Exposed Pipes and Surfaces – Water supply and drainpipes under lavatories and sinks shall be insulated or otherwise configured to protect against contact. There shall be no sharp or abrasive surfaces under lavatories and sinks.

Notes:



Item # 14
Issue: Flush Handle
Issue: Vertical Grab Bar
Location: North Restroom in Visiting Area
Code: ANSI 604.10.6 - Flush Controls – Flush controls shall be hand operated or automatic. Hand operated flush controls shall comply with Sections 309.2 and 309.4 and shall be installed 36 inches maximum above the floor. Flush controls shall be located on the open side of the water closet.

ANSI 604.5.1 - Vertical Grab Bars

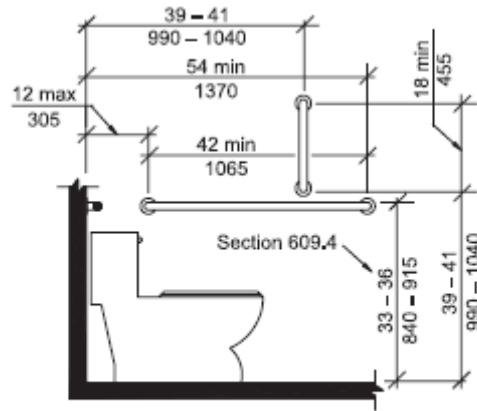


Fig. 604.5.1
Side Wall Grab Bar for Water Closet

Notes: This restroom is immediately north and adjacent to the restroom above. This restroom is accessible except for the item listed. This restroom should have signage as an accessible restroom.



Item # 15
Issue: Door Opening Force
Issue:
Location: All Accessible Restrooms
Code: ANSI 404.2.8 Door - Opening Force – Fire doors shall have the minimal opening force allowable by the appropriate administrative Authority. The force for pushing or pulling open doors other than fire doors shall be as follows:

Interior hinged door: 5.0 pounds (22.2) maximum.

Notes: The opening force of all accessible restrooms should be periodically checked to ensure forces meet or exceed code.