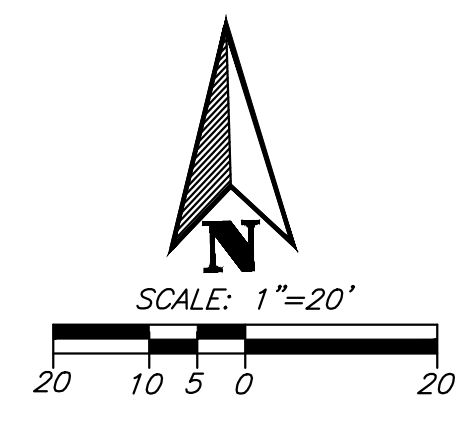
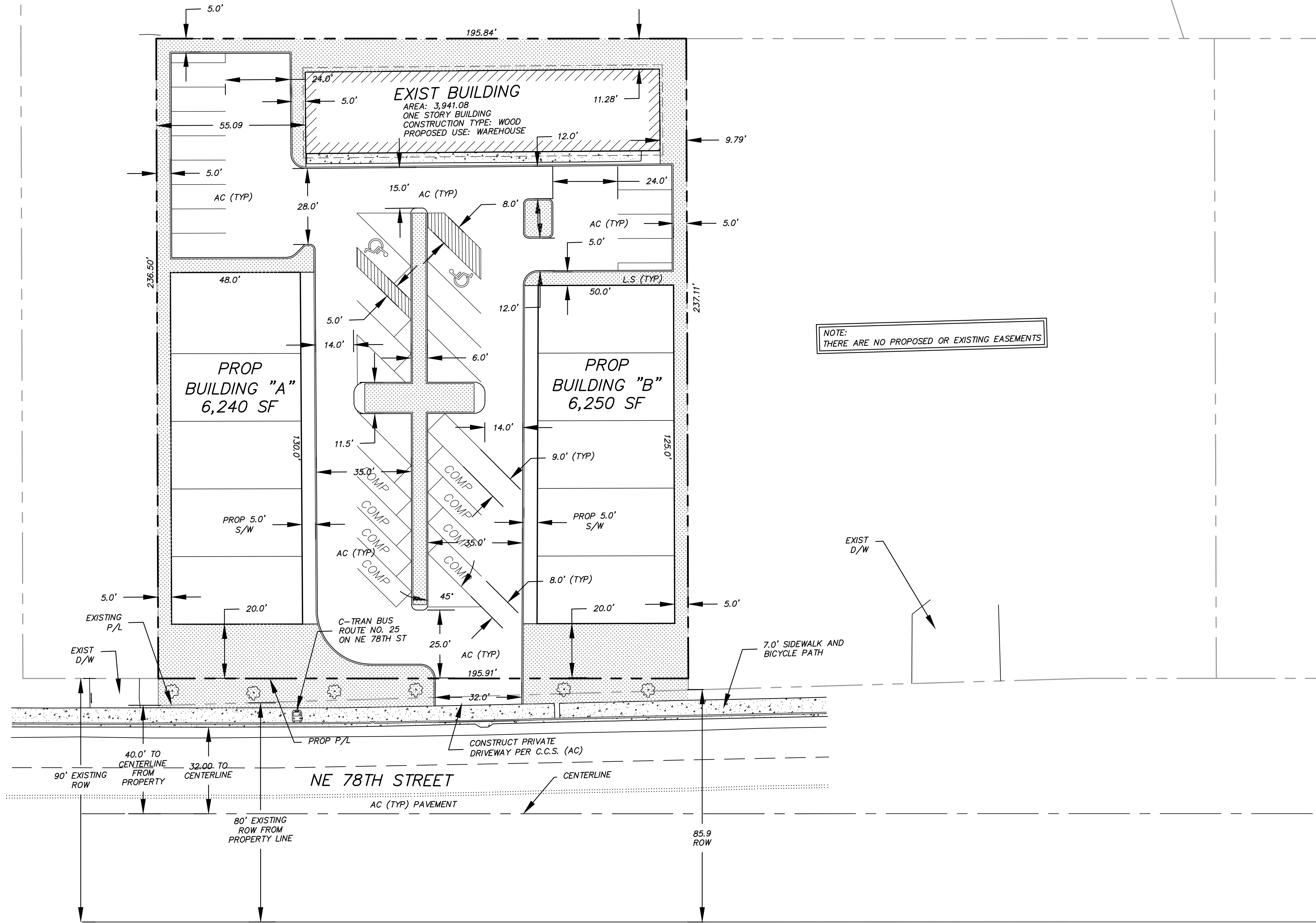


AMERIDREAM COURT  
 CLARK COUNTY, WASHINGTON  
 PROPOSED CONDITIONS PLAN

REV.	DATE	BY

PROJECT NUMBER	AMR001
Date:	03/07/2018
Scale:	AS SHOWN
Drawn By:	JDH
Designed By:	GID
Checked By:	GID



**PROPOSED CONDITIONS PLAN**  
 SCALE: 1" = 20'