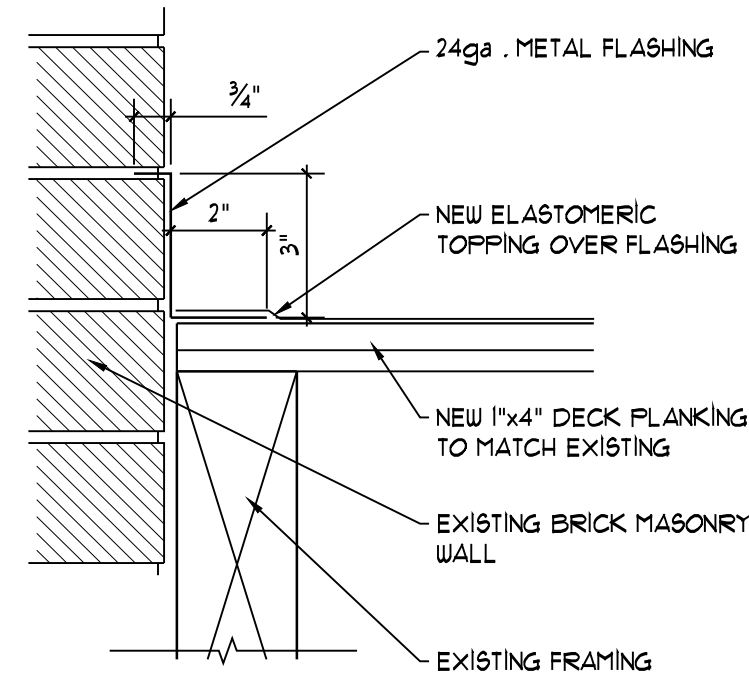
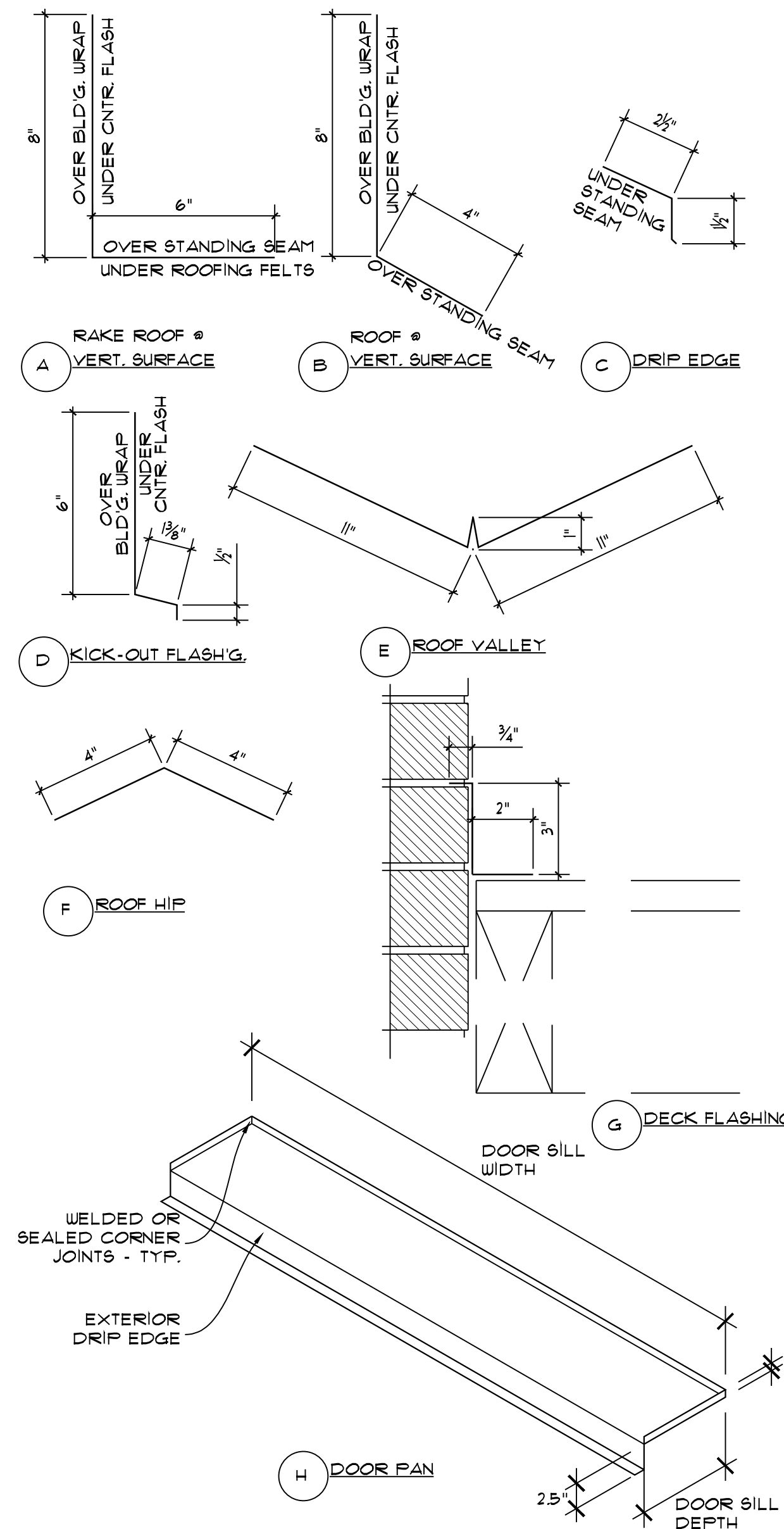


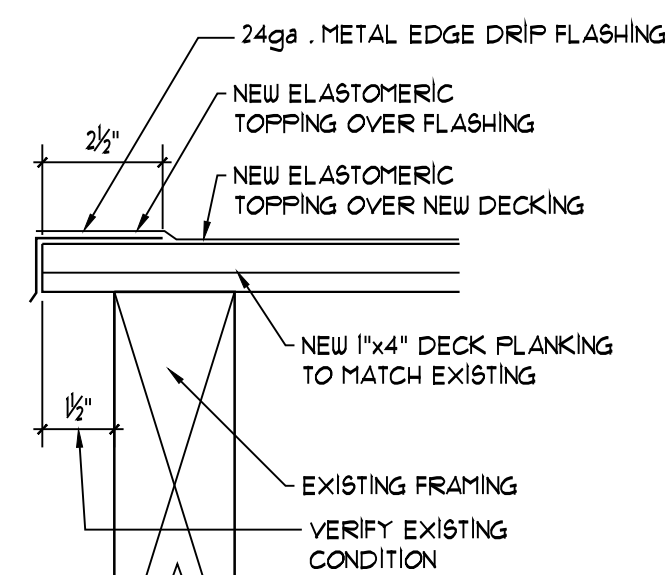
16 CABLE RAIL DETAIL
SCALE: -



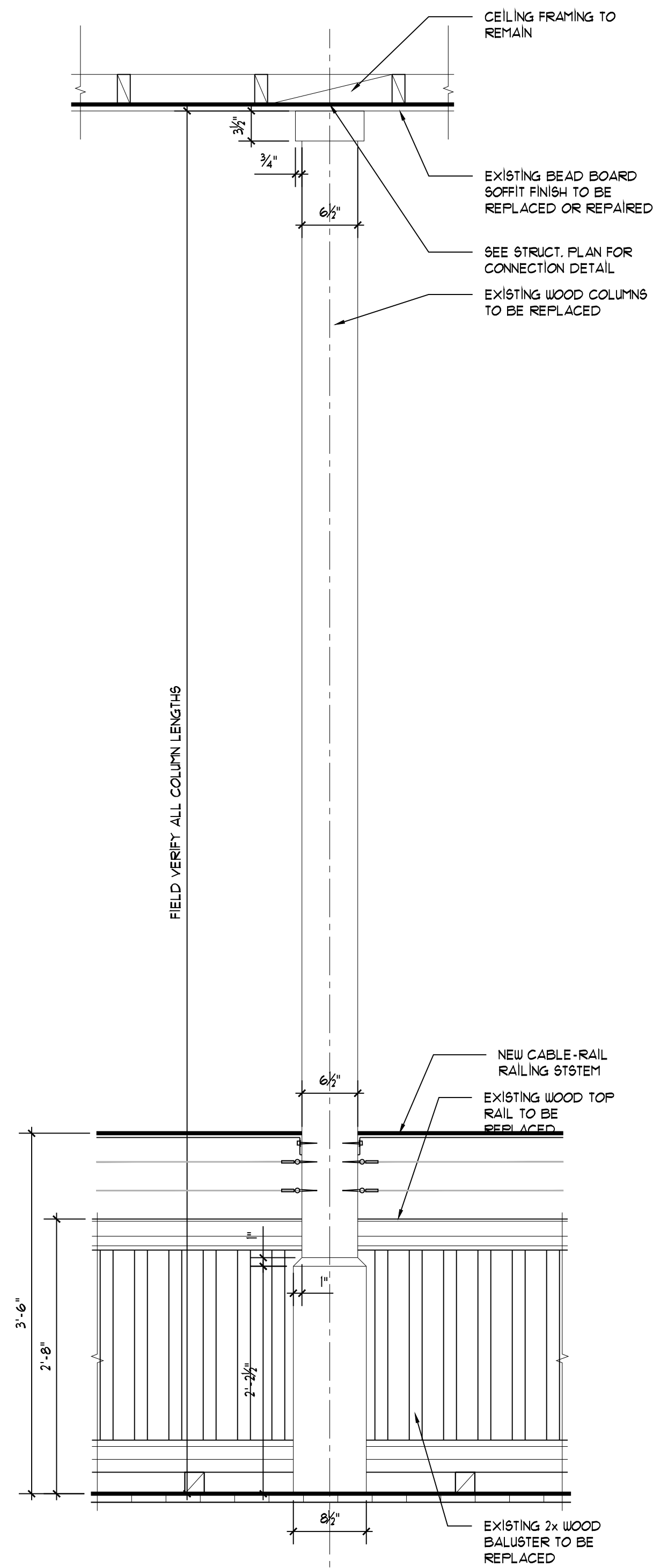
13 WALL FLASHING @ DECK
SCALE: -



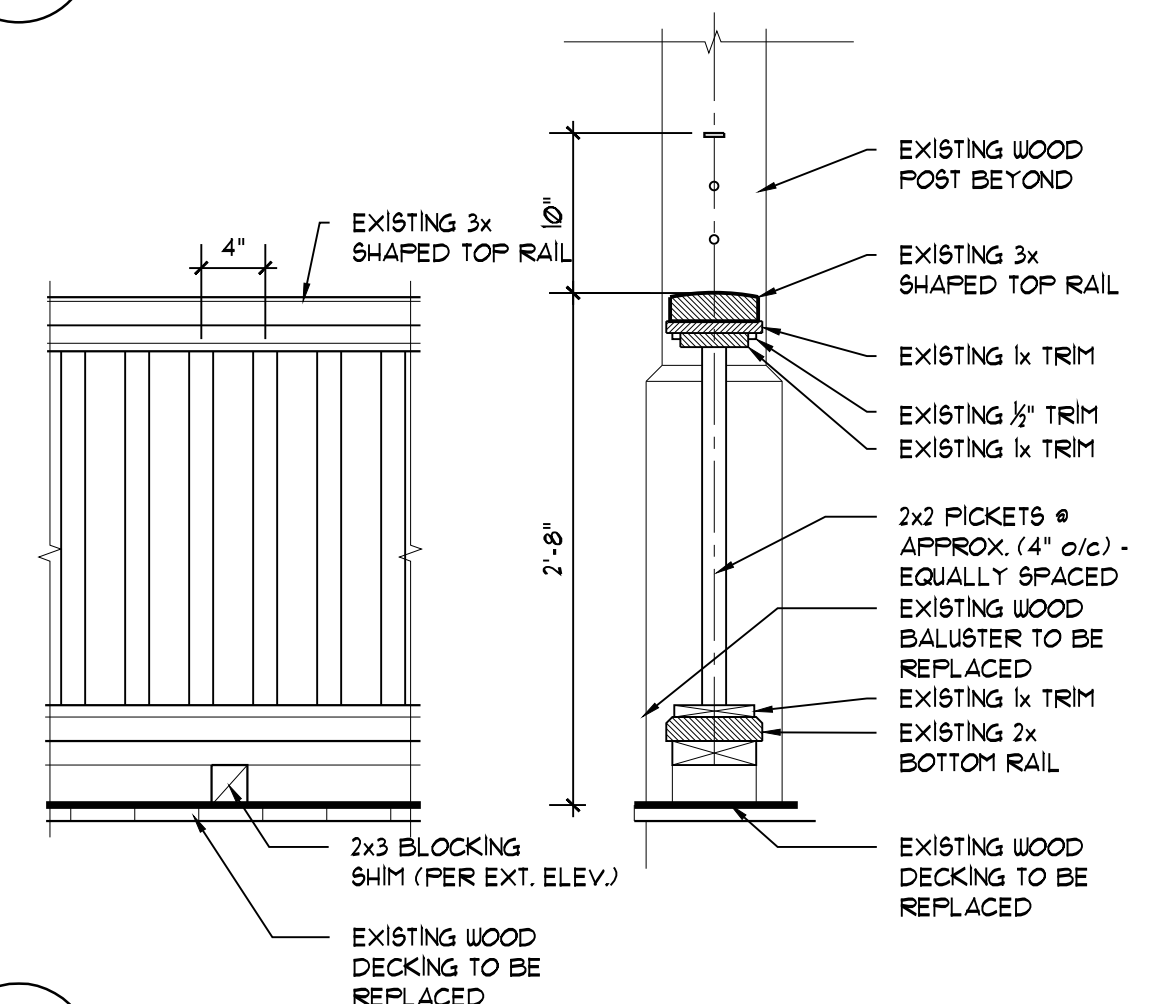
11 METAL FLASHING DETAIL
SCALE: 1 1/2" = 1'-0"



12 DRIP FLASHING @ DECK EDGE
SCALE: 1 1/2" = 1'-0"

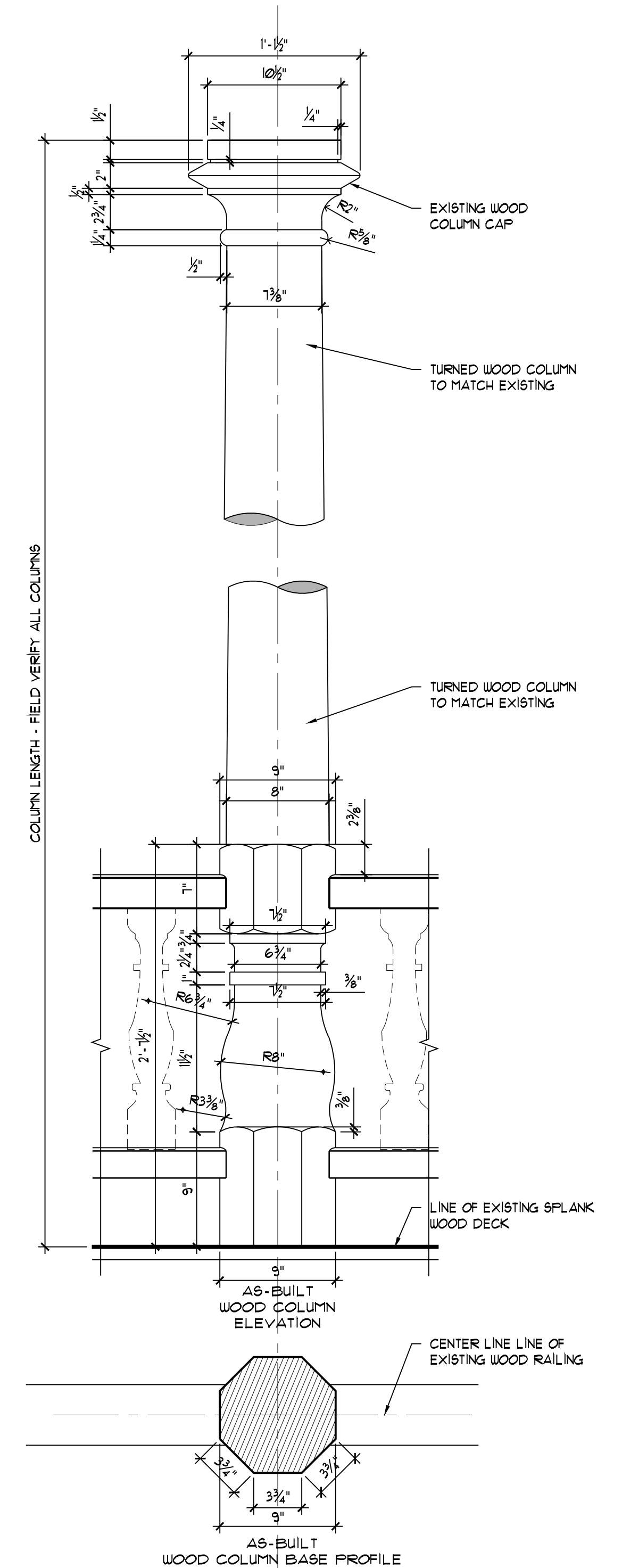


7 NORTH PORCH RAILING ELEVATION
SCALE: 1" = 1'-0"



8 NORTH PORCH RAILING
SCALE: 1" = 1'-0"

1 NOT USED
SCALE: -



4 EXISTING COLUMN DETAIL AT EAST ENTRY
SCALE: 1 1/2" = 1'-0"

20 NOT USED
SCALE: 1" = 1'-0"



WILSON
ARCHITECTS, PLLC
404 E 15TH ST. #7
VANCOUVER, WA.
98663
(360) 696-4722

11895 REVISION
PRELIMINARY
PROGRESS SET
(Not for Construction)
STATE OF WASHINGTON

PROJECT COMPLETION
DATE SUBMITTAL
100%
COV LUP# 18913
COV CM# -

CCHPC Review Set

PROVIDENCE ACADEMY
400 EAST EVERGREEN BLVD.
VANCOUVER, WA 98660
NORTH BALCONY RESTORATION/REPAIR

DATE	SCALE
02/28/2020	SEE PLAN
JOB NO. 8115	DRAWN BY JMK
SET ISSUED/ PLAN REVISIONS:	
xxxx	
1	
2	
3	
4	
5	
6	

D2
DETAILS

