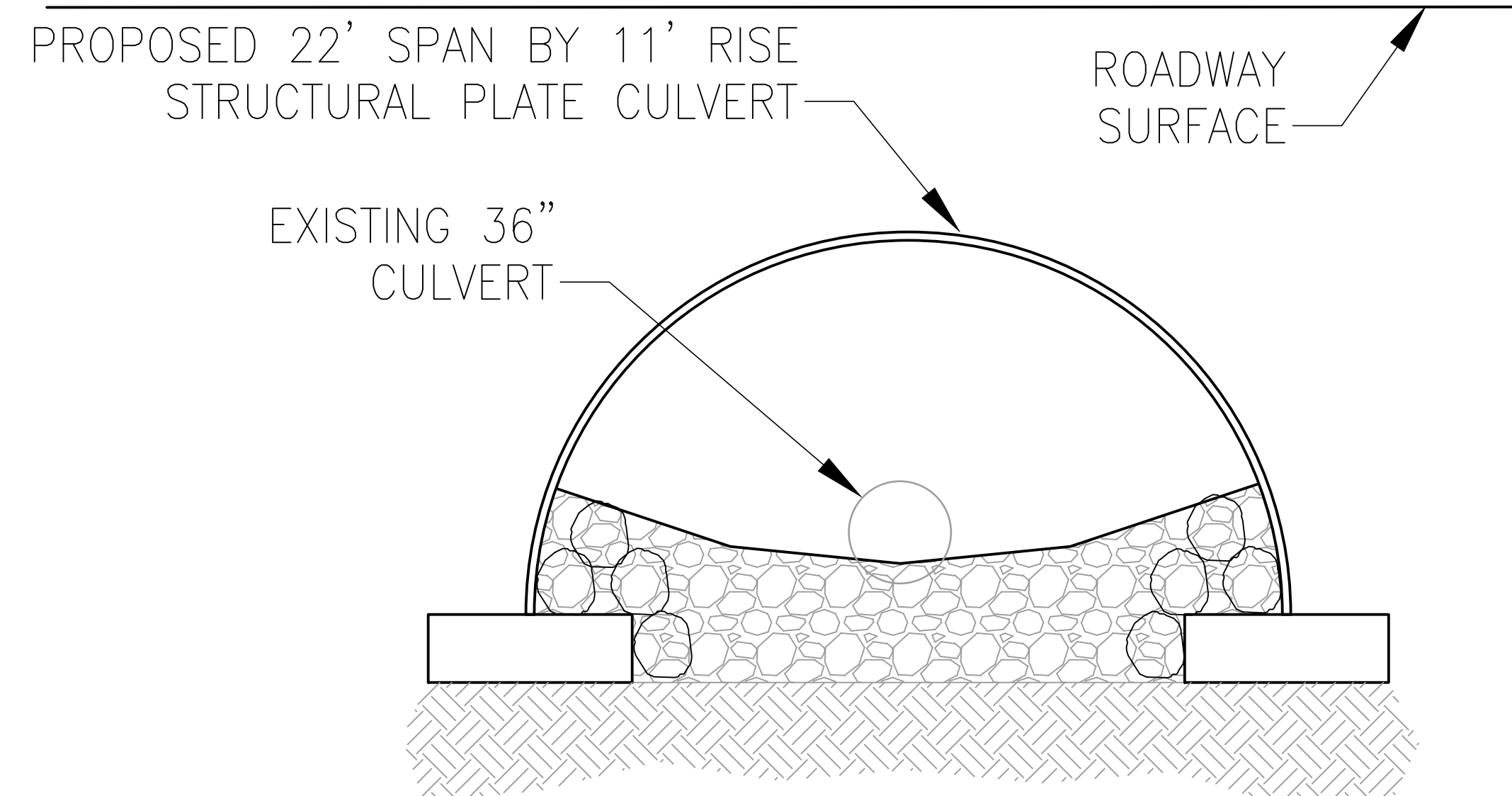
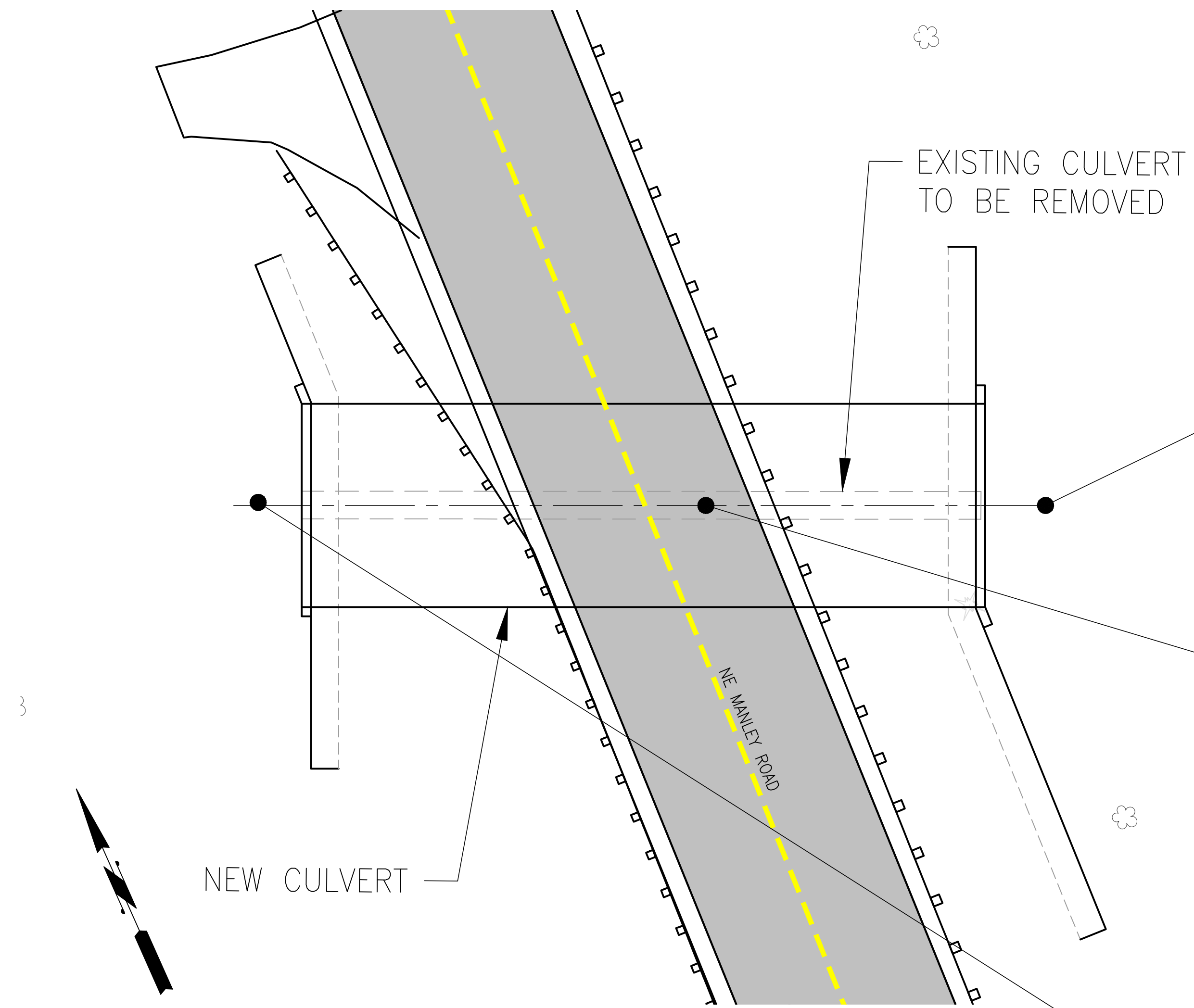
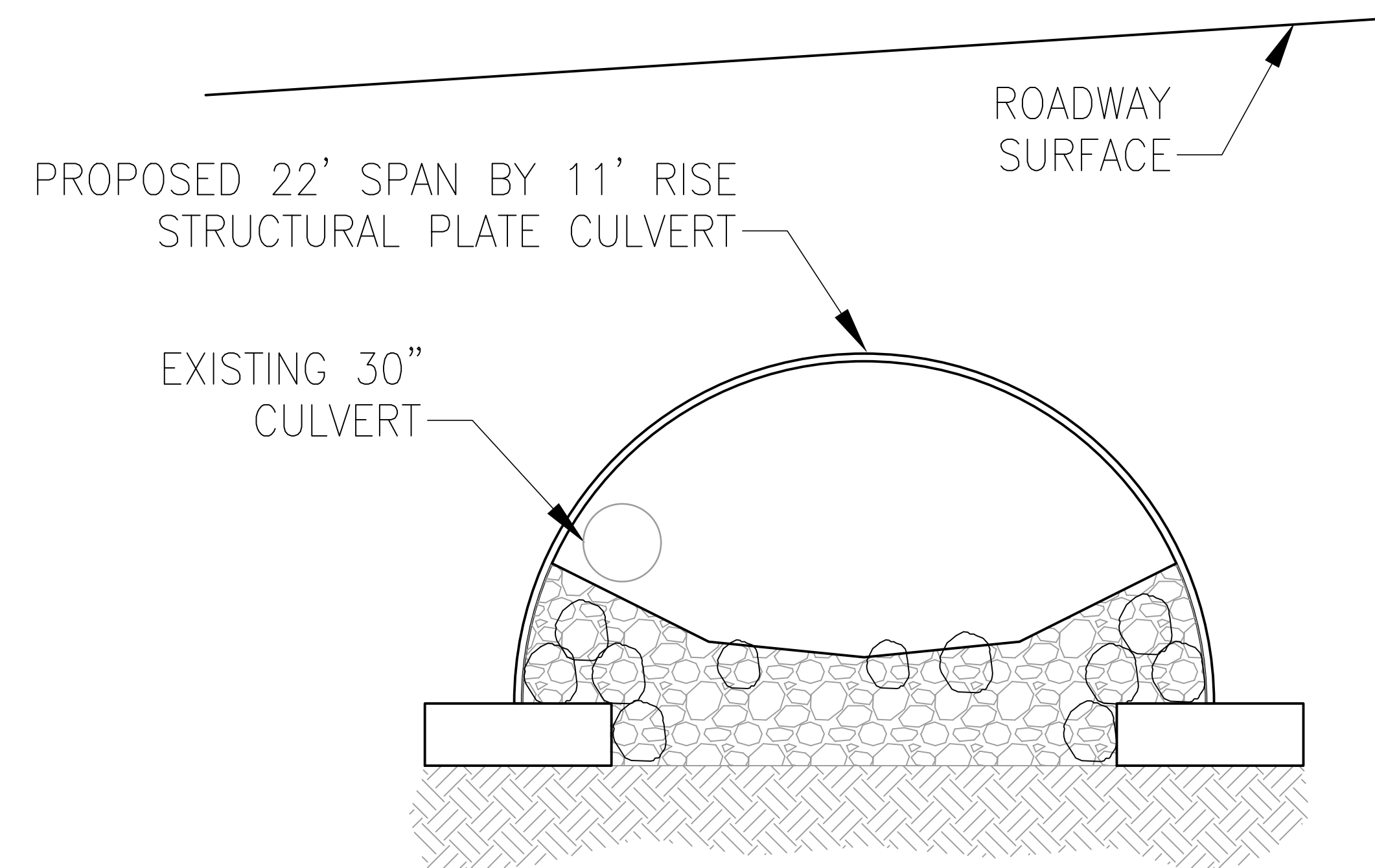
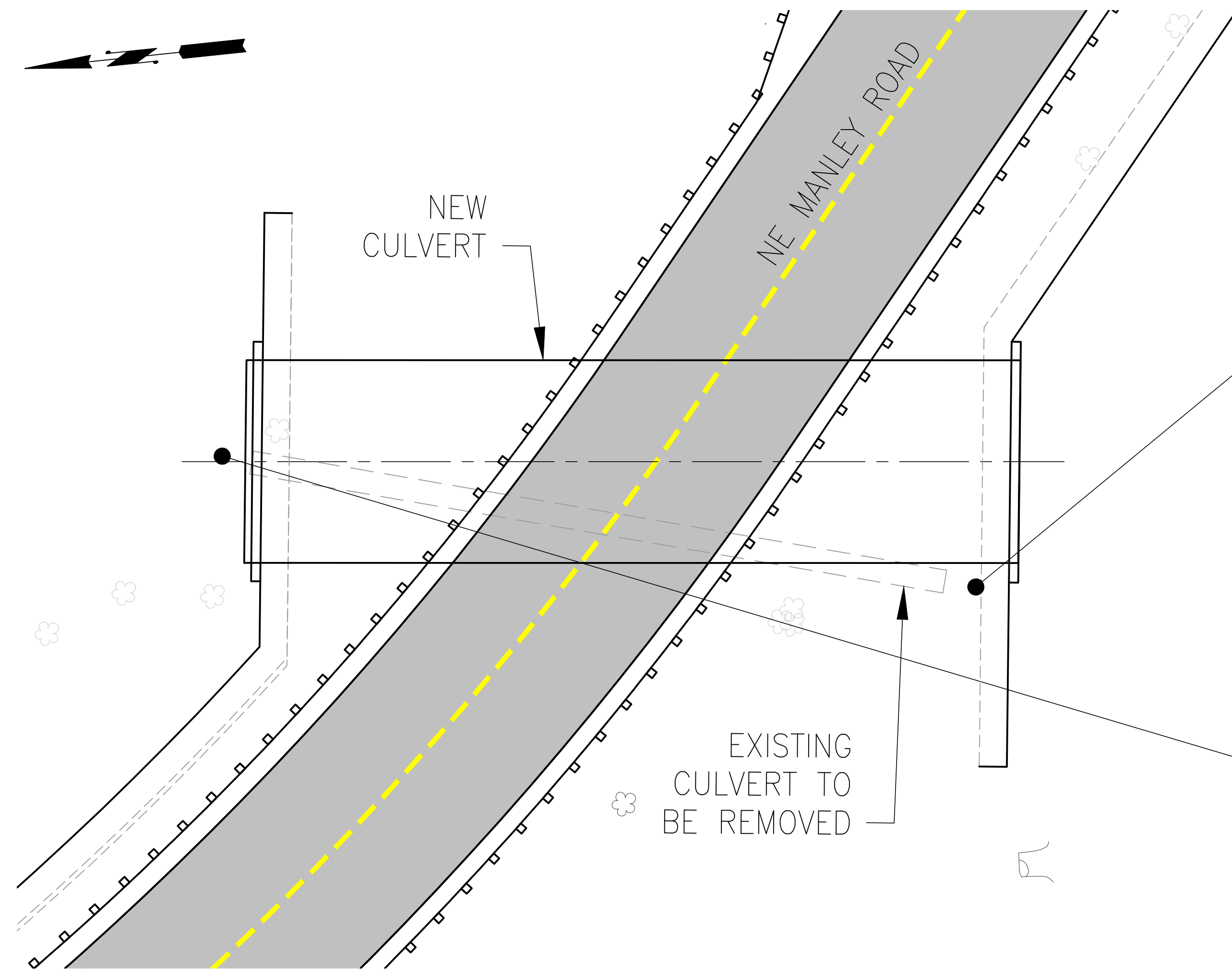


NE MANLEY ROAD CULVERT REPLACEMENT PROJECT SOUTHERN CULVERT



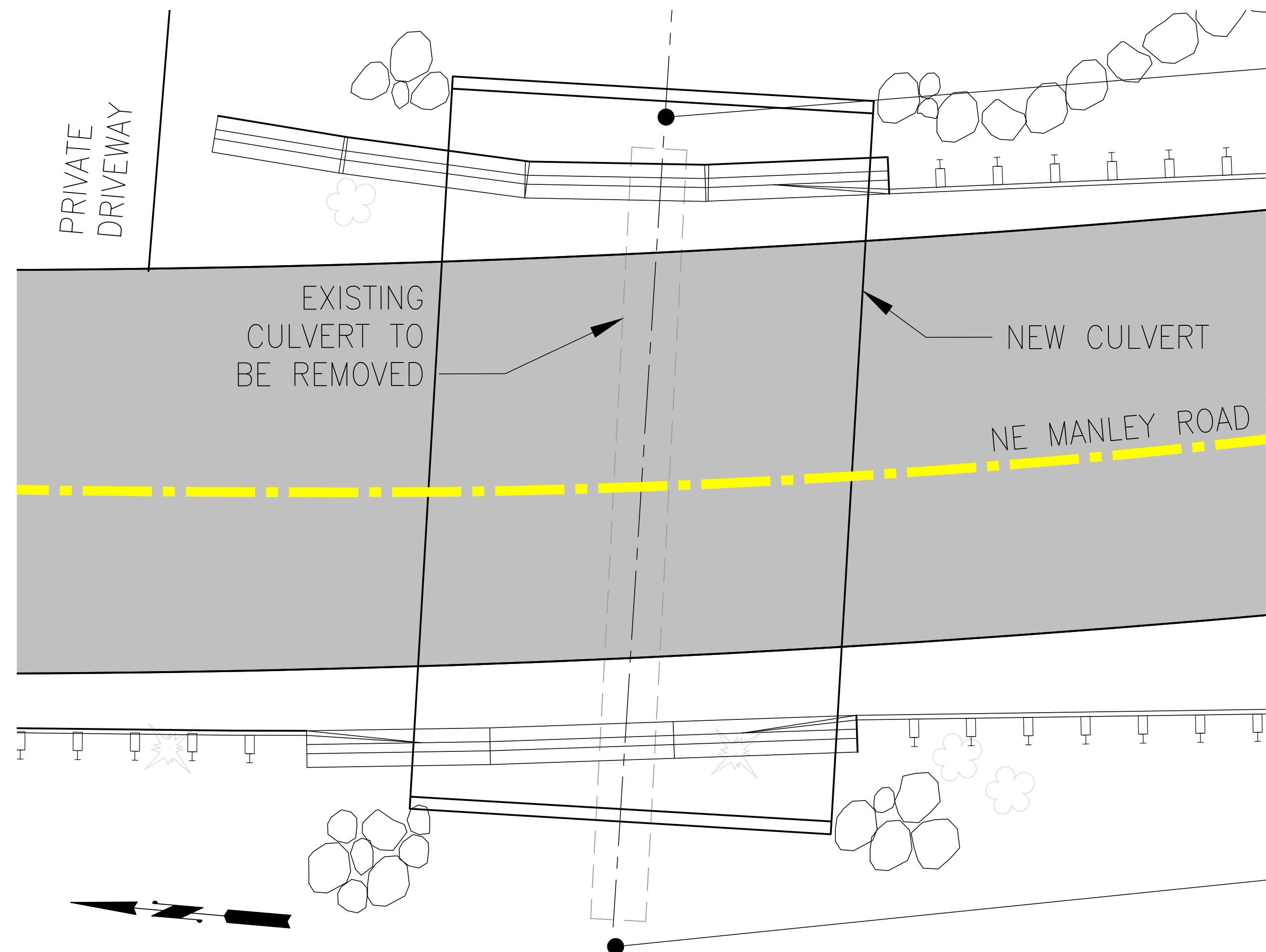
NE MANLEY ROAD CULVERT REPLACEMENT PROJECT

MIDDLE CULVERT



NE MANLEY ROAD CULVERT REPLACEMENT PROJECT

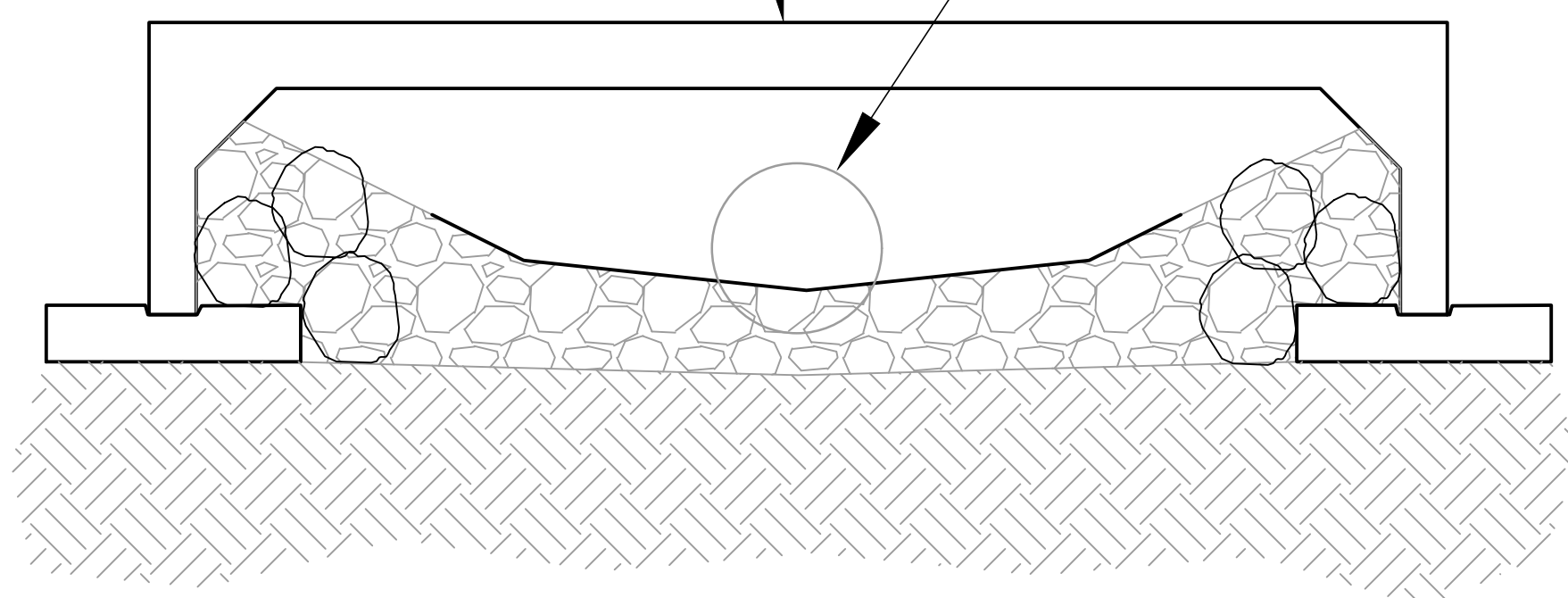
NORTHERN CULVERT



PROPOSED 20' SPAN BY 7' RISE
3-SIDED CONCRETE BOX CULVERT

ROADWAY SURFACE

EXISTING 36"
CULVERT



700 Washington Street
Suite 300
Vancouver, WA 98660
Phone: (360) 737-9613
FAX: (360) 737-9651
www.otak.com