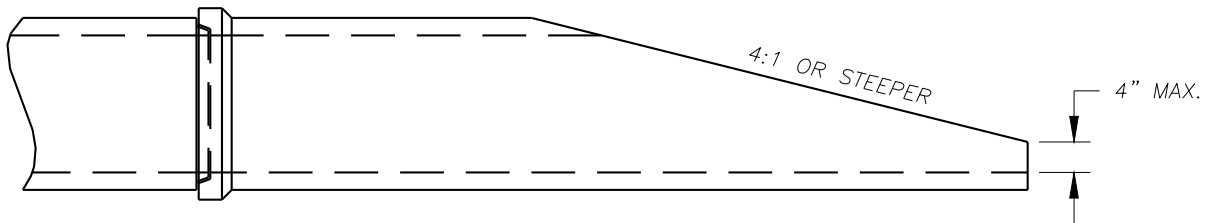
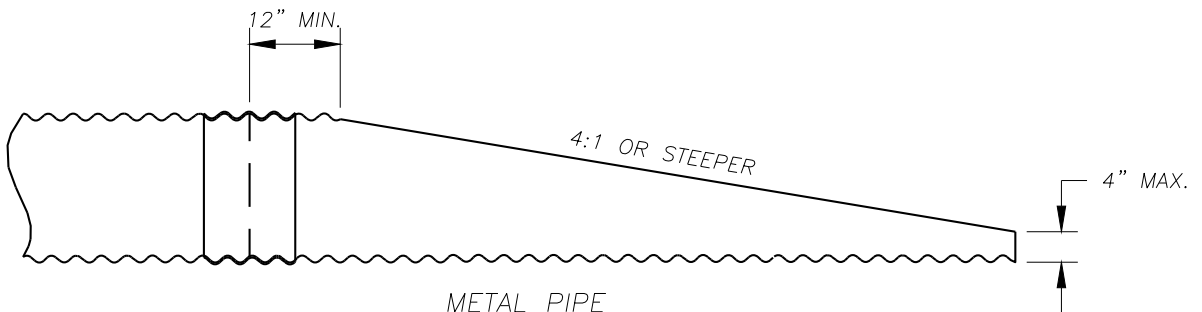


THERMOPLASTIC PIPE



CONCRETE PIPE



METAL PIPE

NOTES:

1. THE CULVERT ENDS SHALL BE BEVELED TO MATCH THE EMBANKMENT OR DITCH SLOPE, WITHOUT EXCEEDING THE LIMITS SHOWN ON THE PLAN.
2. FIELD CUT OF CULVERT ENDS IS PERMITTED, WHEN APPROVED BY THE ENGINEER. ALL FIELD CUT PIPE CULVERTS SHALL BE TREATED WITH TREATMENT SHOWN IN THE STANDARD SPECIFICATION OR GENERAL SPECIAL PROVISIONS.
3. THE END OF THERMOPLASTIC PIPE SHALL BE ANCHORED. SEE STD. DETAIL D22.
4. FOR PIPES 18" OR LARGER, TRASH SCREEN REQUIRED. SEE STD. DETAIL D25.

NO.	REVISIONS	DATE	BY

DWG: D24.DWG



Department of
Public Works
CLARK COUNTY
WASHINGTON
proud past, promising future

BEVELED END SECTION

[Signature]
APPROVED
COUNTY ENGINEER

01/07/16
DATE

STANDARD
D24
DETAIL
DESIGNED
DRAWN
DATE 01/30/15