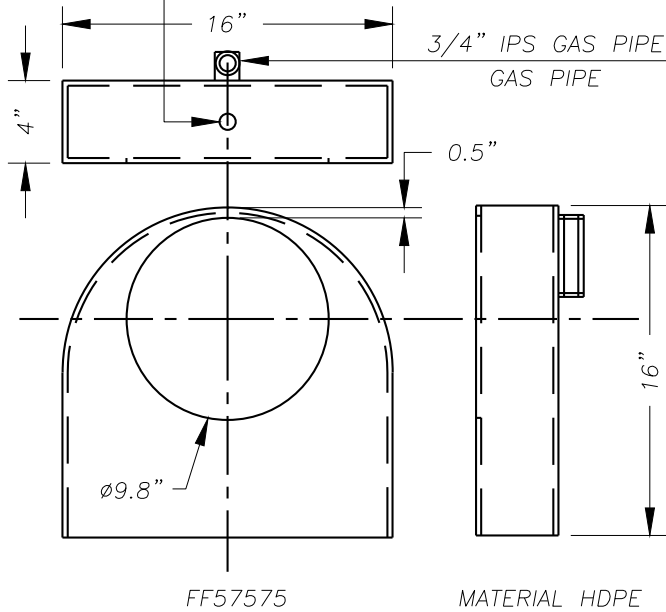
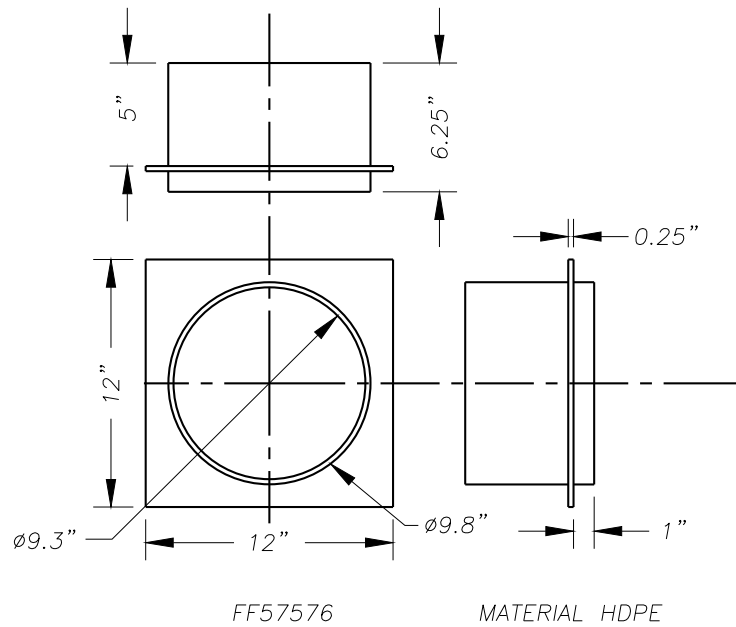


DRILL 3/4"  
VENT HOLE AT  
TOP OF TRAP

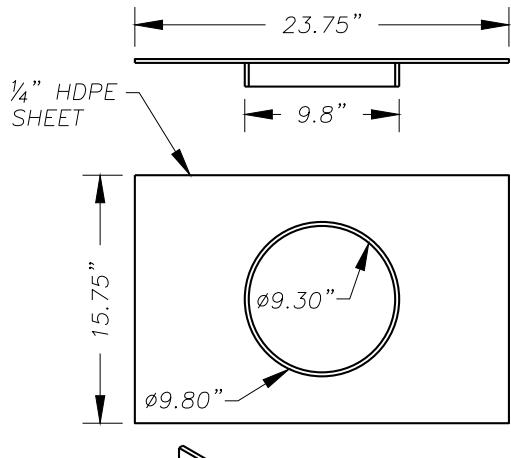


LOW PROFILE ELBOW

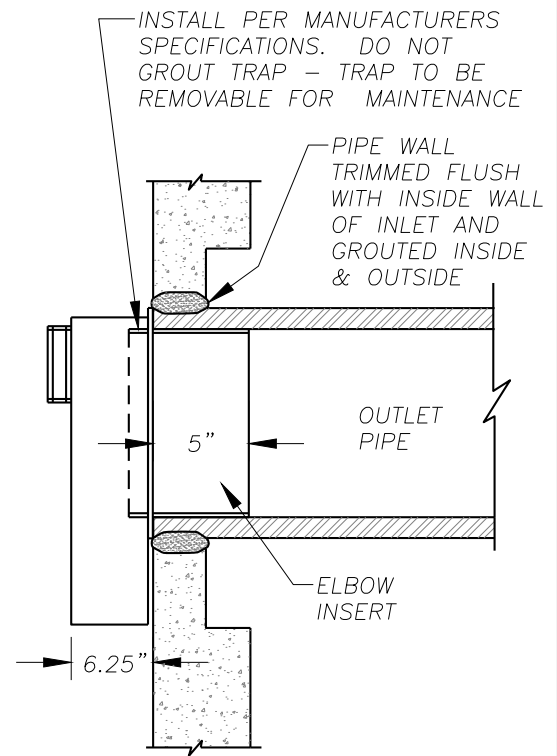
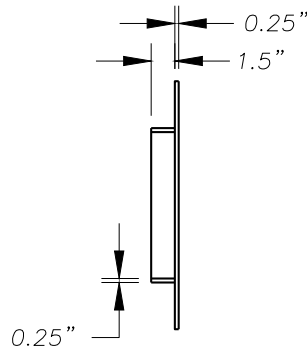


ELBOW INSERT

ZYMARK, ULTRATECH, BONAIR BRANDS OR EQUIVALENT



10" HDPE FLAT FACE ADAPTOR  
FORD FABRICATIONS OR EQUIVALENT



NO.	REVISIONS	DATE	BY

DWG: D2.1.DWG



Department of  
Public Works

**CLARK COUNTY**  
WASHINGTON  
proud past, promising future

DEBRIS TRAP

APPROVED

*[Signature]*  
COUNTY ENGINEER

01/30/15  
DATE

STANDARD

**D2.1**

DETAIL  
DESIGNED  
DRAWN  
DATE 01/30/15