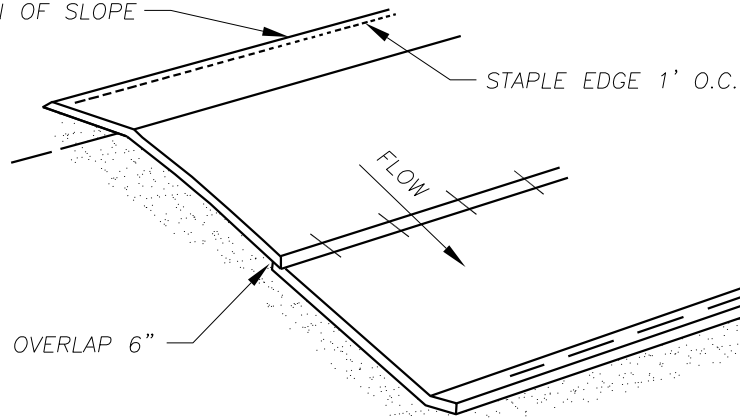


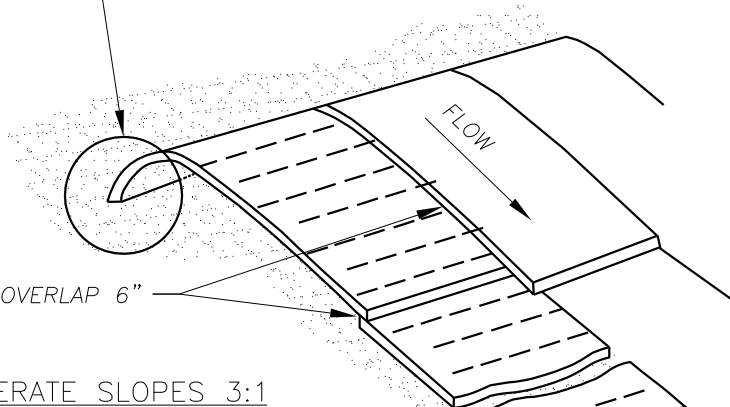
EXTEND BLANKET A MINIMUM OF 3' ABOVE CROWN OF SLOPE



SIDE AND END OVERLAP 6"

BURY TOP 4 INCHES OF BLANKET AND STAPLE EDGE 1' O.C.

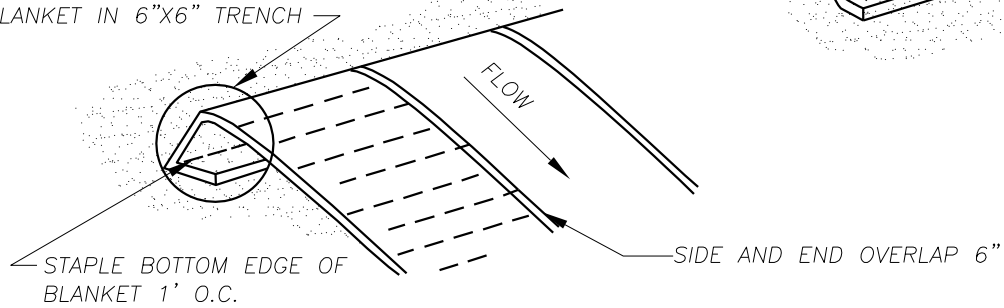
SHALLOW SLOPES 4:1 OR LESS



SIDE AND END OVERLAP 6"

MODERATE SLOPES 3:1

BURY TOP 12 INCHES OF BLANKET IN 6"X6" TRENCH



STAPLE BOTTOM EDGE OF BLANKET 1' O.C.

SIDE AND END OVERLAP 6"

STEEP SLOPES 2:1 OR GREATER

NOTES:

1. ON 4:1 OR LESS SLOPES BLANKETS MAY BE APPLIED ACROSS THE SLOPE.
2. ALL BLANKET INSTALLED AND STAPLED PER MANUFACTURERS SPECIFICATIONS.
3. SEE MATTING NOTES STD. DETAIL E17.

NO.	REVISIONS	DATE	BY

DWG: E17a.DWG



Department of Public Works
CLARK COUNTY
 WASHINGTON
 proud past, promising future

MATTING SLOPE INSTALLATION
 APPROVED
Peter Capen
 COUNTY ENGINEER
 5/23/08
 DATE

STANDARD
E17a
 DETAIL
 DESIGNED
 DRAWN
 DATE 05/23/08