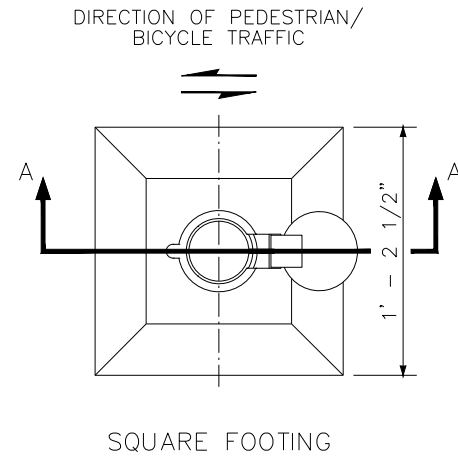
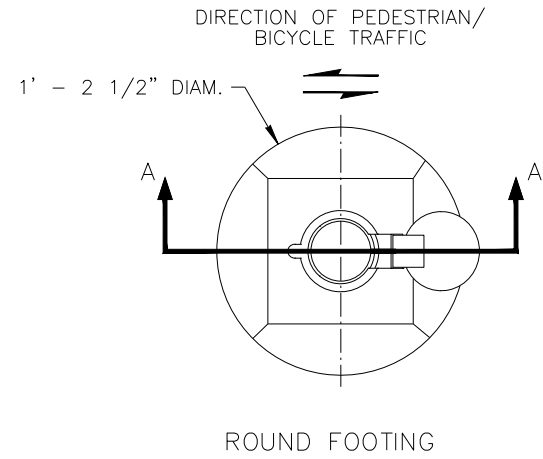
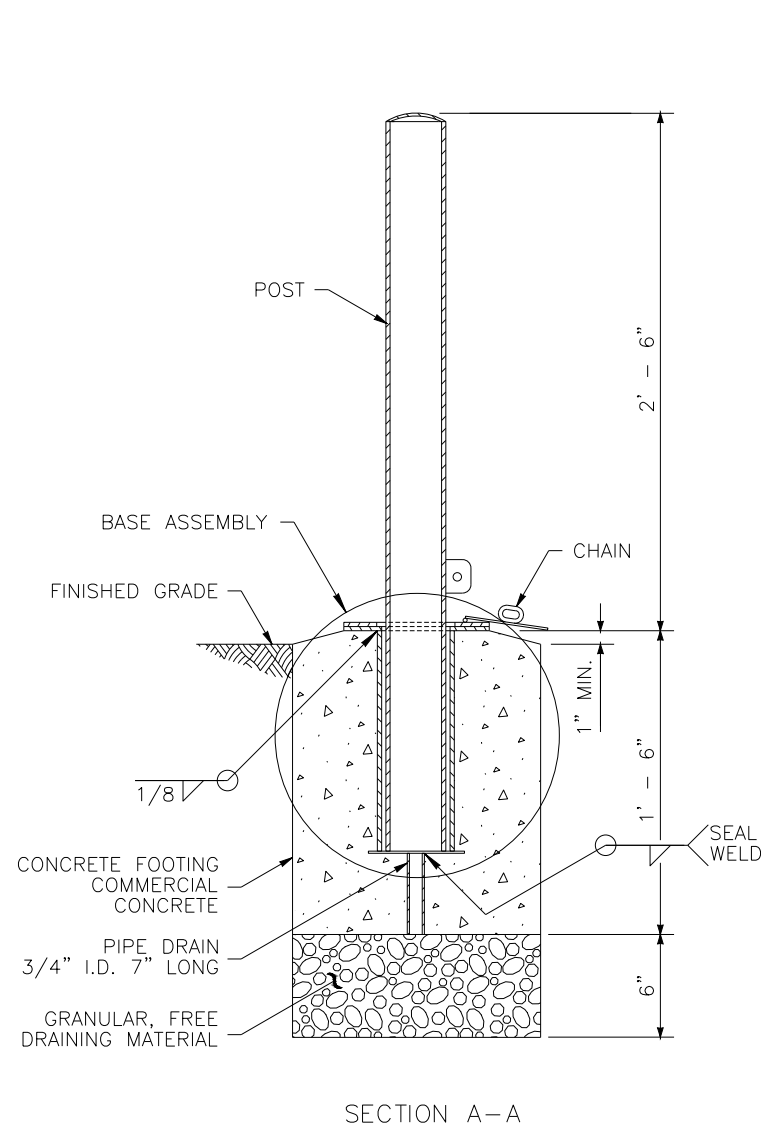
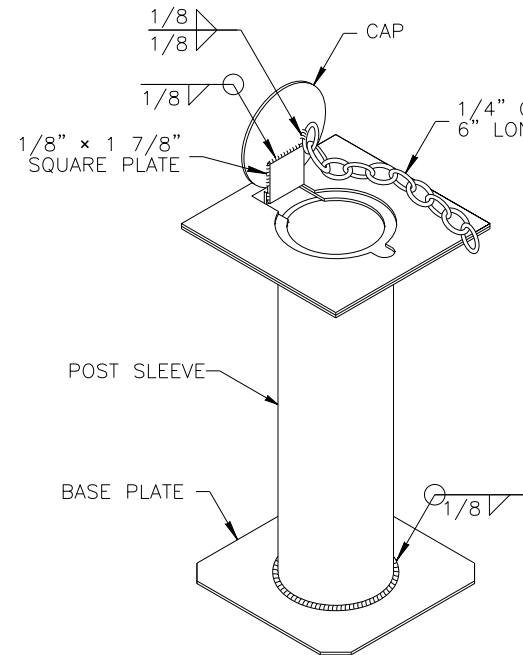


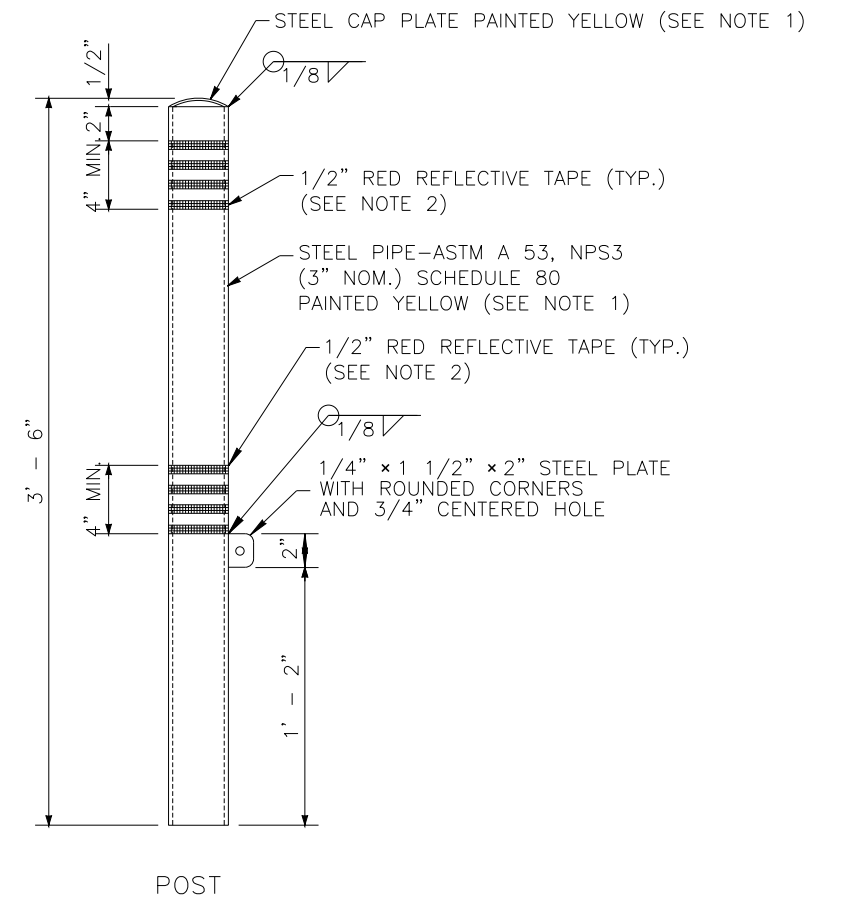
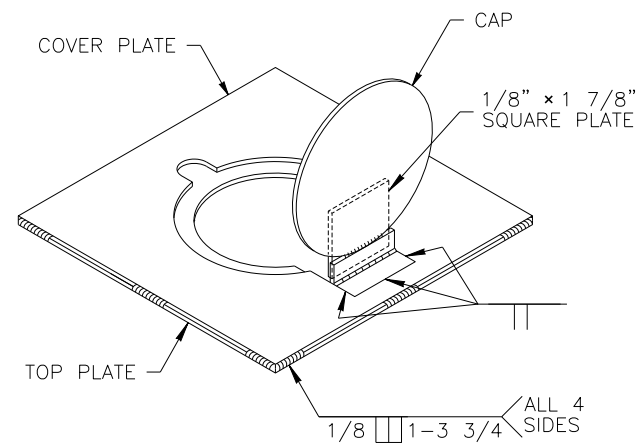
BOLLARDS (SHEET 1 OF 3)
BOLLARD TYPE 1 - REMOVABLE



PLAN VIEW

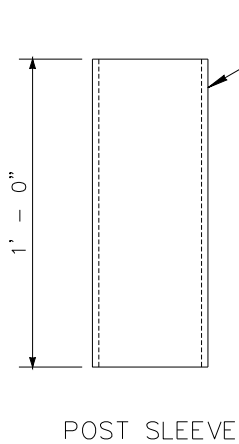
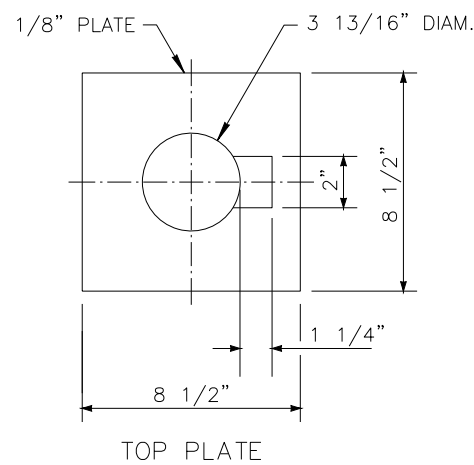
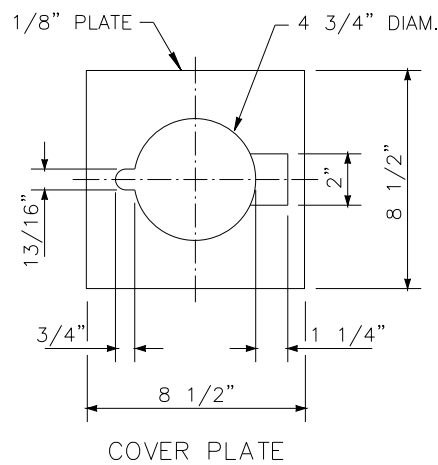


BASE ASSEMBLY (SEE NOTE 1)

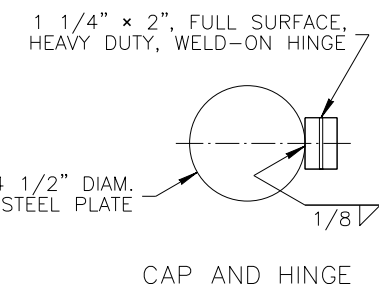
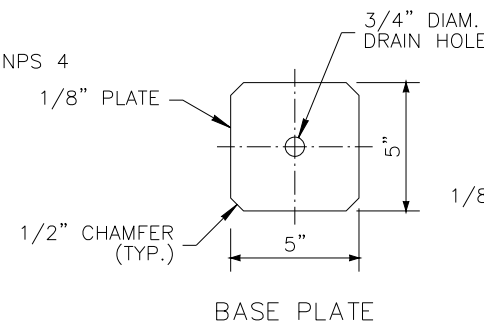


NOTES:

1. PAINT ASSEMBLY WITH TRAFFIC SIGNAL YELLOW (TO MATCH FEDERAL STANDARD 595, COLOR No. 33538).
2. REFLECTIVE TAPE SHALL BE HIGH INTENSITY (TYPE IV).
3. THIS BOLLARD DOES NOT HAVE AN EFFECTIVE BREAKAWAY DESIGN FEATURE AND CANNOT BE INSTALLED WITHIN THE DESIGN CLEAR ZONE.



STEEL PIPE - ASTM A 53, NPS 4 (4" NOM.), SCHEDULE 40 WELD TO TOP PLATE



REV. NO.	DATE	BY	APPR

DWG:



Department of
Public Works
CLARK COUNTY
WASHINGTON
proud past, promising future

BOLLARDS
SHEET 1 OF 3
APPROVED
[Signature]
COUNTY ENGINEER
07/17/19
DATE

STANDARD
T10.0
DETAIL
DESIGNED
DRAWN
DATE