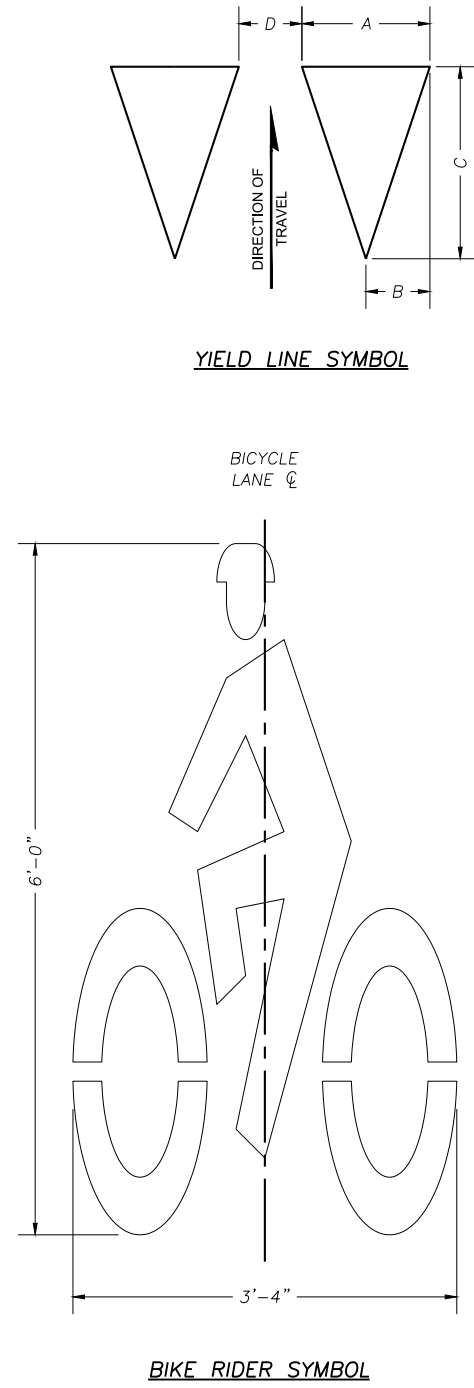
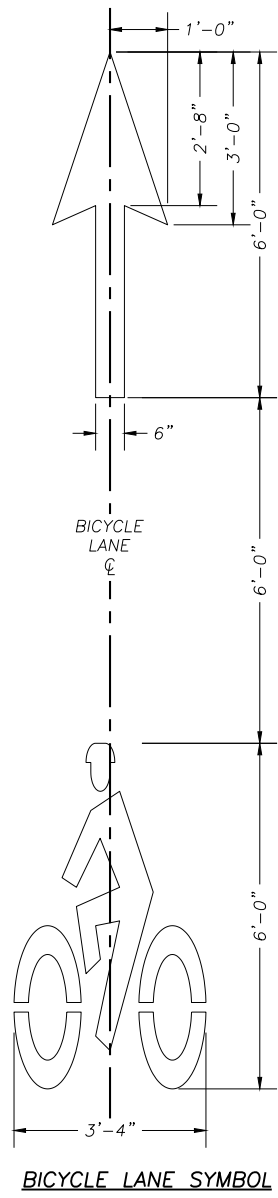
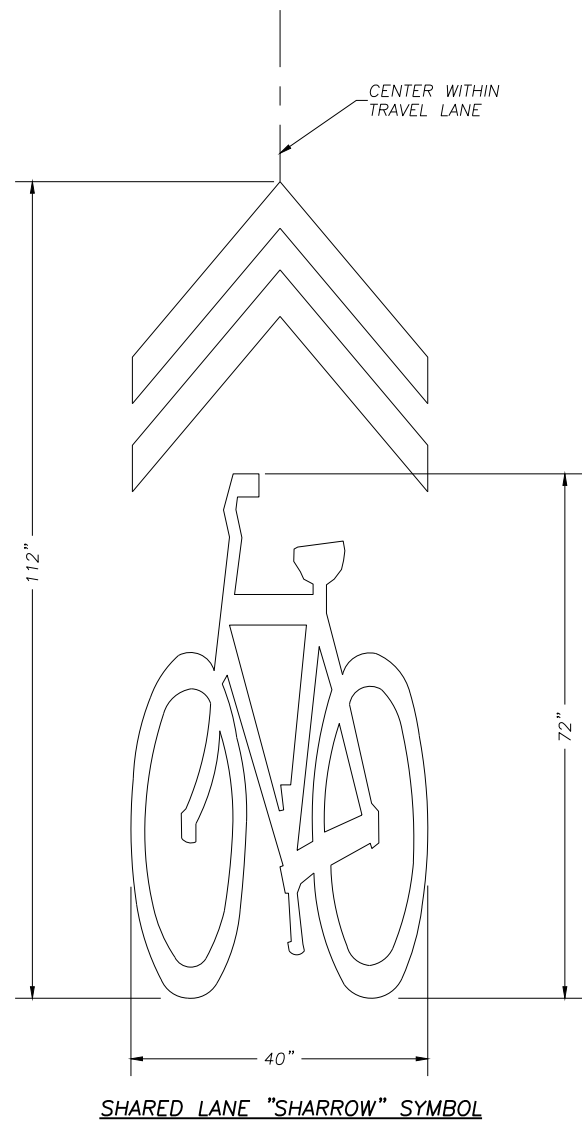
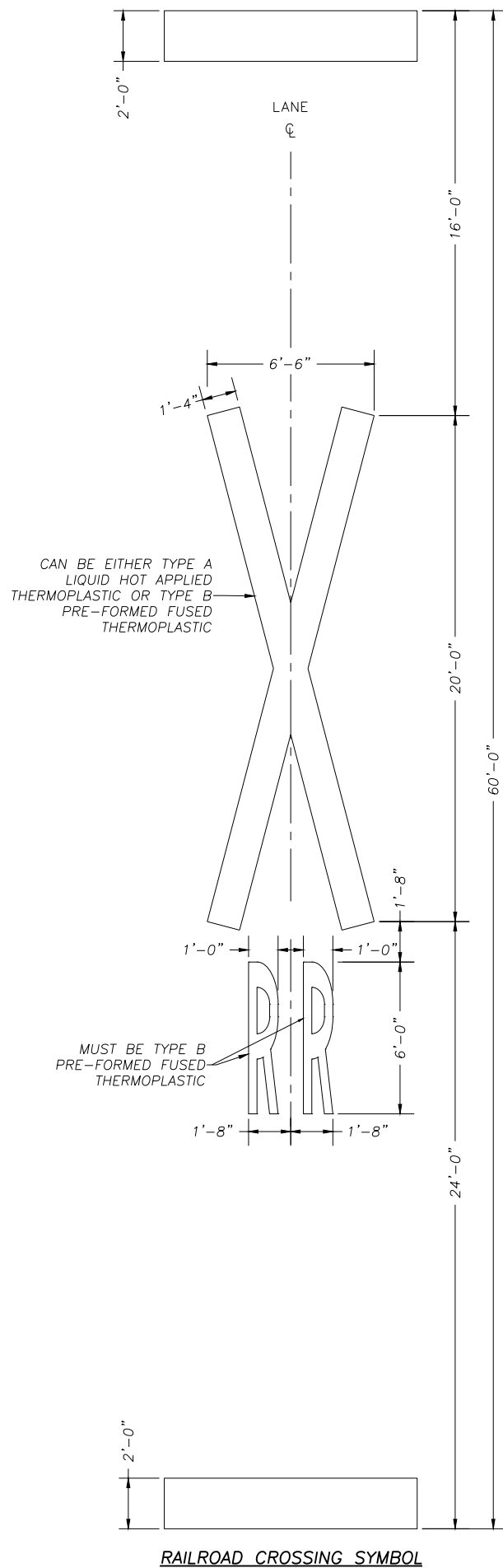
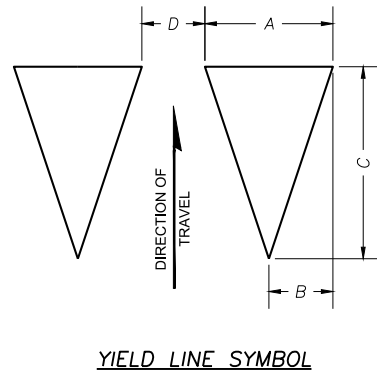


PAVEMENT MARKING SYMBOLS



	A	B	C	D	USE
YIELD LINE SYMBOL	1'-0"	6"	1'-6"	6"	LESS THAN 40 MPH
	2'-0"	1'-0"	3'-0"	1'-0"	40 MPH OR GREATER
	2'-0"	1'-0"	3'-0"	1'-0"	ROUNDBOUT ENTRY*

*MINIMUM OF 4 IN LANE




- NOTES:**
- ALL PAVEMENT MARKINGS SHALL BE WHITE.
 - ALL PAVEMENT MARKINGS MUST BE TYPE B PRE-FORMED FUSED THERMOPLASTIC UNLESS SPECIFIED OTHERWISE.

DWG:  Department of Public Works
CLARK COUNTY WASHINGTON
 proud past, promising future

REV. NO.	DATE	BY	APPR

PAVEMENT MARKING SYMBOLS

APPROVED 

07/17/19
DATE

STANDARD
T6.0
 DETAIL
 DESIGNED
 DRAWN
 DATE